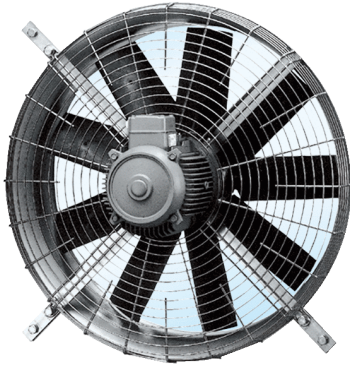


DZQ 71/8 A



Short description

Axial wall fan with square wall plate, DN 710, three-phase AC

Application examples

Production site, Industrial building, Storage facility, Laboratory, Workshop

Article number 0083.0641

Technical data

Model	Square wall plate
Air flow volume	12.000 m ³ /h
Rotating speed	715 1/min
Speed controllable	✓
Type of voltage	Three-phase AC
Rated voltage	400 V
Nominal output	540 W
I _{nom}	1,8 A
I _{max}	1,85 A
Degree of protection	IP 55
Insulation class	F
Mains cable	5 x 1,5 mm ²
Installation position	horizontal
Material	Sheet steel, galvanised
Weight	44
Nominal size	710 mm
Airstream temperature at nominal current	60 °C
Packing unit	1 piece
Range	C
GTIN (EAN)	4012799836414

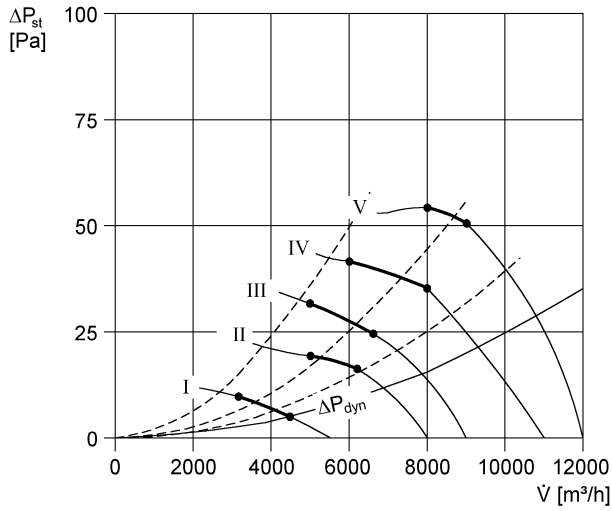
Sound power level in octave range

	63 Hz	125 Hz	250 Hz	500 Hz	1 kHz	2 kHz	4 kHz	8 kHz	Total
L _{WA7, S5} (dB(A))	41	60	62	65	69	69	62	50	74
L _{WA8, S5} (dB(A))	54	64	67	70	74	74	75	72	81

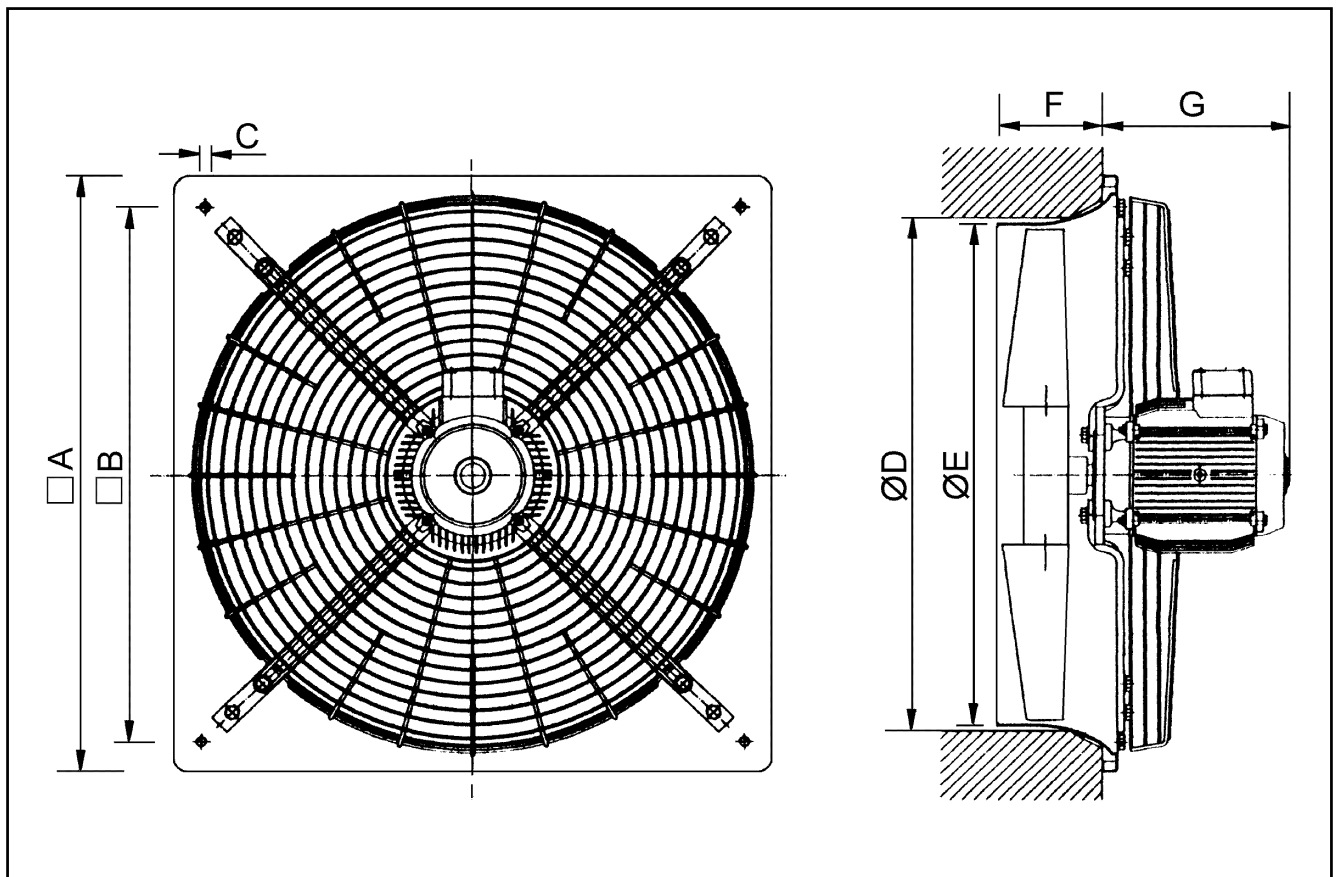
DZQ 71/8 A

L_{WA7} = housing and free inlet sound power level in dB.
 L_{WA8} = housing and free outlet sound power level in dB.

Characteristic curve



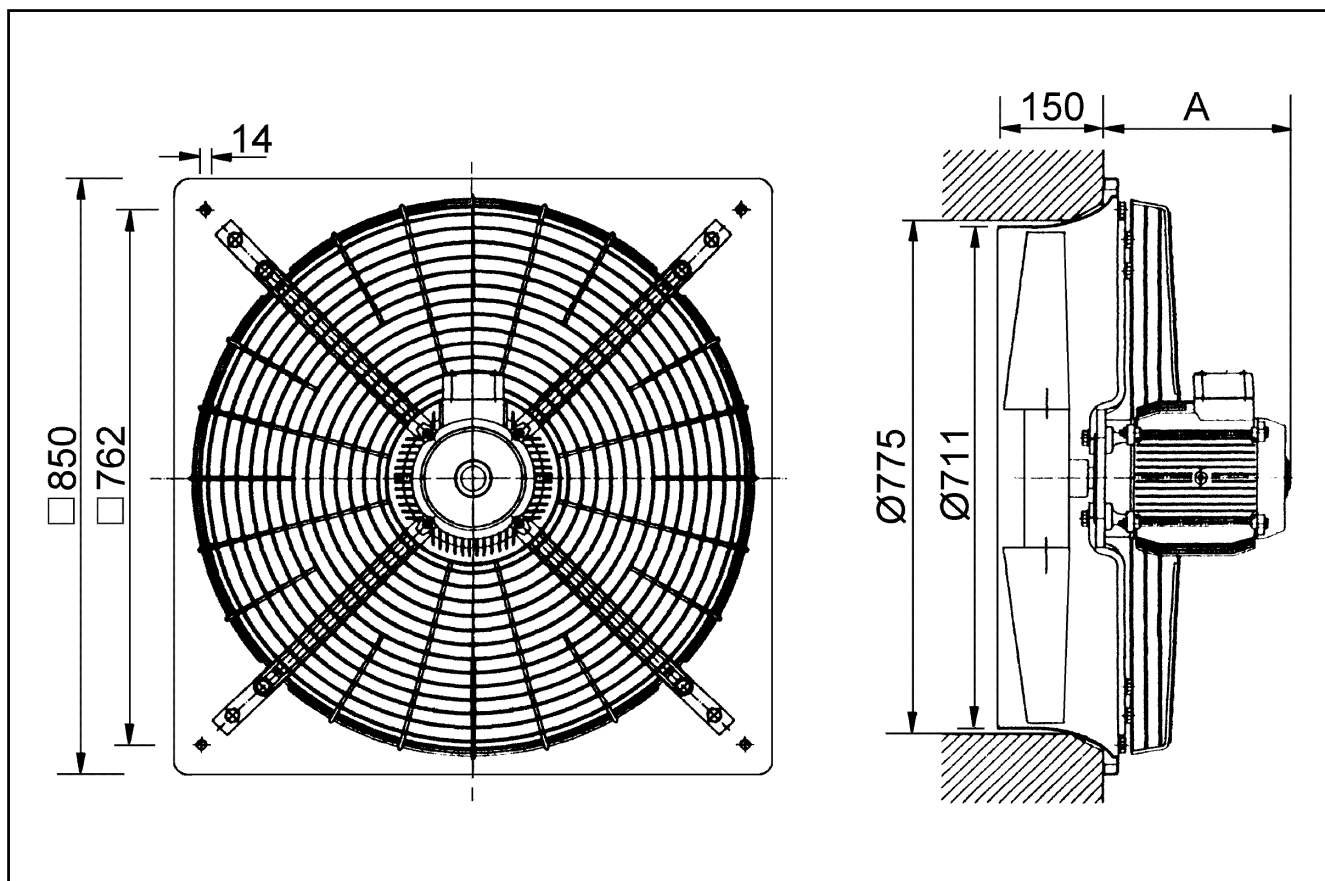
Dimensioned drawing [mm]



DZQ 71/8 A

A	B	C	D	E	F	G
260	762	14	775	711	150	260

Dimensioned drawing [mm]



A	B	C	D	E	F	G
260	762	14	775	711	150	260