

# DZR 20/2 B Ex t



## Short description

Axial duct fan, DN200, three-phase AC, explosion-proof, medium: dust

Article number 0086.0720

## Technical data

Air flow volume	1.050 m <sup>3</sup> /h
Rotating speed	2.950 1/min
Speed controllable	✓
Reversing capacity	✓
Type of voltage	Three-phase AC
Rated voltage	400 V
Frequency	50 Hz
Nominal output	65 W
cosφ	0,4
I <sub>nom</sub>	0,23 A
I <sub>max</sub> at U <sub>Nominal</sub>	0,25 A
Degree of protection	IP 64
Insulation class	F
Material	Sheet steel, galvanised
Colour	galvanised
Weight	7,2 kg
Weight including packaging	7,91 kg
Nominal size	200 mm
Width	317 mm
Height	317 mm
Depth	240 mm
Width with packaging	350 mm
Height with packaging	335 mm
Depth with packaging	265 mm
EX designation in accordance with the ATEX Directive	Ex II 2 D
EX designation in accordance with standard	Ex tb IIIB T135°C Db IP64 X / Ex h IIIB T135°C Db X
Ta ambient temperature	-20 °C ≤ Ta ≤ +40 °C
I <sub>A</sub> /I <sub>N</sub>	7,3
Time t <sub>A</sub>	69 sek

# DZR 20/2 B Ex t

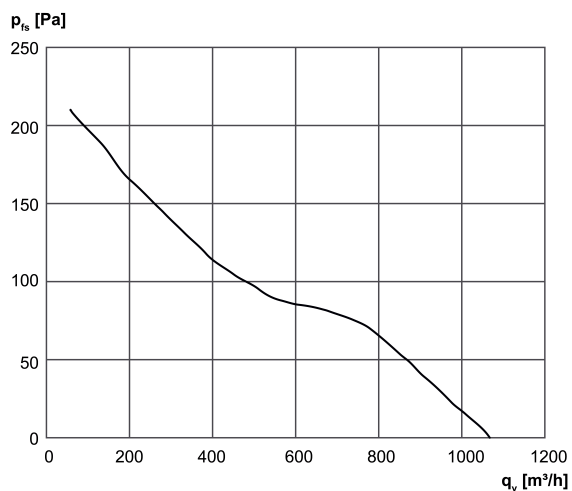
Operating mode	S1
PTC DIN 44082	M 100
EC type examination certificate	TÜV-A 19 ATEX0103 X, IECEx EPS 19.0019X
Temperature class	T135°C
Temperature class of insulating materials Th. Cl.	155 (F)
Packing unit	1 piece
Range	C
GTIN (EAN)	4012799867203

## Sound power level in octave range

	63 Hz	125 Hz	250 Hz	500 Hz	1 kHz	2 kHz	4 kHz	8 kHz	Total
<b>L<sub>WA5, high</sub></b> <b>(dB(A))</b>	-	-	-	-	-	-	-	-	80

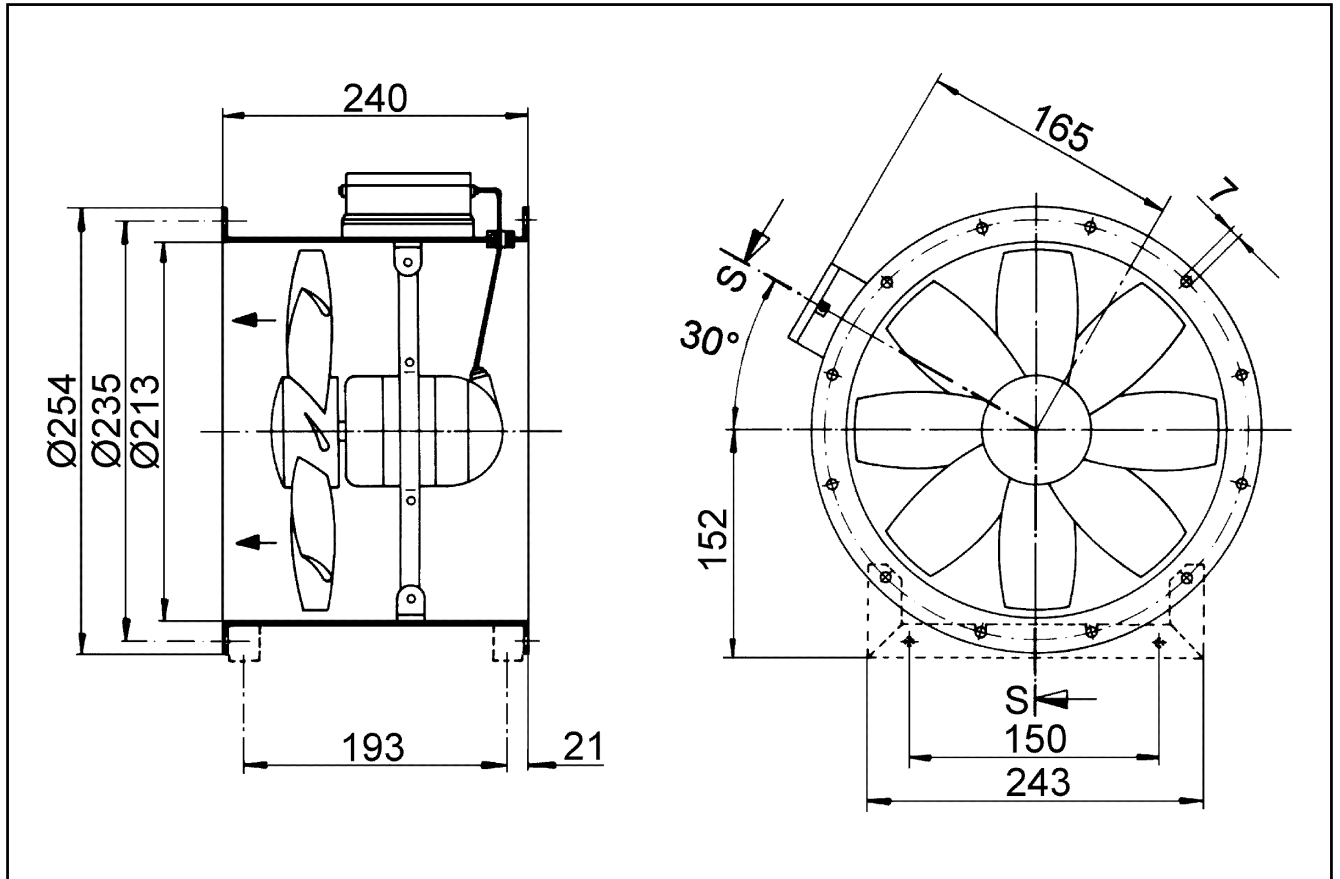
L<sub>WA5</sub>= free inlet sound power level in dB.

## Characteristic curve



# DZR 20/2 B Ex t

Dimensioned drawing [mm]



Number of flange holes: 6