

DZR 25/4 B Ex e



Short description

Axial duct fan, DN250, three-phase AC, explosion-proof, medium: gas

Application examples

Environment with explosion hazard (zone 1 and 2), Workshop, Storage facility, Laboratory, Workplace air extraction system

Article number 0086.0701

Technical data

Air flow volume	980 m ³ /h
Rotating speed	1.475 1/min
Impeller type	axial
Speed controllable	✓
Reversing capacity	✓
Type of voltage	Three-phase AC
Rated voltage	400 V
Frequency	50 Hz
Nominal output	38 W
cosφ	0,28
I _{nom}	0,19 A
I _{max} at U _{Nominal}	0,19 A
Degree of protection	IP 64
Insulation class	F
Installation position	vertical / horizontal
Material	Sheet steel, galvanised
Housing material	Sheet steel, galvanised
Colour	galvanised
Weight	8,52 kg
Weight including packaging	9,44 kg
Nominal size	250 mm
Width	372 mm
Height	372 mm
Depth	300 mm
Width with packaging	420 mm
Height with packaging	430 mm
Depth with packaging	330 mm
EX designation in accordance with the ATEX Directive	Ex II 2 G
EX designation in accordance with standard	Ex eb IIB + H ₂ T3 Gb / Ex h IIB + H ₂ T3 Gb

DZR 25/4 B Ex e

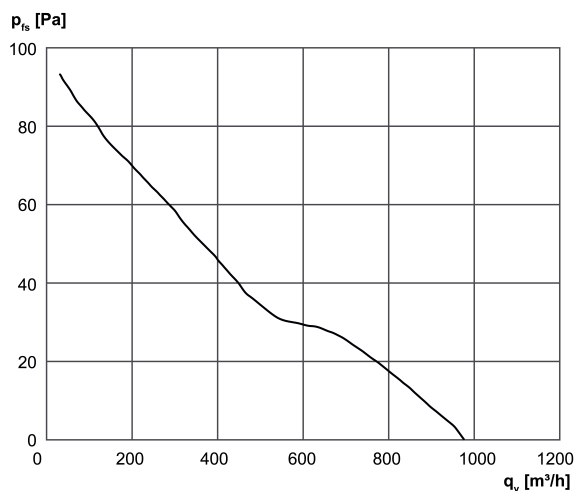
Ta ambient temperature	-20 °C ≤ Ta ≤ +60 °C
I _A /I _N	3,7
Time t _A	450 sek
Operating mode	S1
PTC DIN 44082	M 100
EC type examination certificate	TÜV-A 19 ATEX0103 X, IECEx EPS 19.0019X
Temperature class	T3
Temperature class of insulating materials Th. Cl.	155 (F)
Packing unit	1 piece
Range	C
GTIN (EAN)	4012799867012

Sound power level in octave range

	63 Hz	125 Hz	250 Hz	500 Hz	1 kHz	2 kHz	4 kHz	8 kHz	Total
L _{WA5, high} (dB(A))	-	-	-	-	-	-	-	-	65

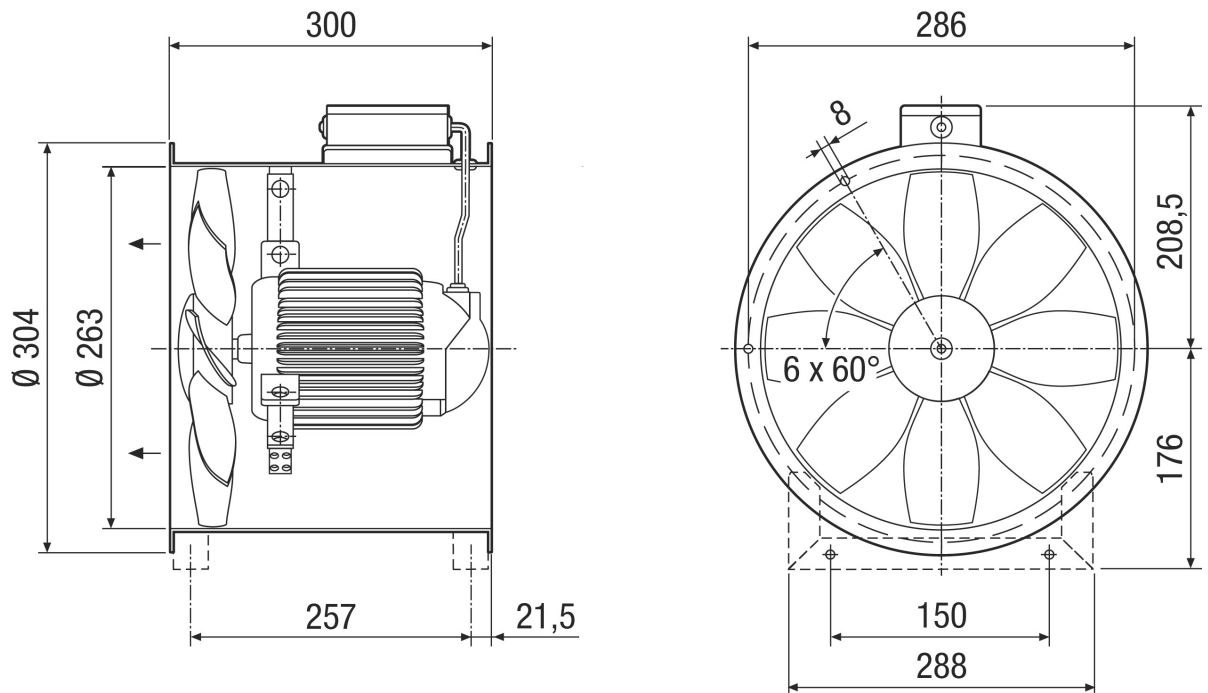
L_{WA5}= free inlet sound power level in dB.

Characteristic curve



DZR 25/4 B Ex e

Dimensioned drawing [mm]



Number of flange holes: 6