

# DZR 30/64 B



## Short description

Axial duct fan, DN 300, three-phase AC, pole-changeable

## Application examples

Machine extraction unit, Showroom, Foreman's office, Workshop, Production site

Article number 0086.0043

## Technical data

Air flow volume	1.200 m <sup>3</sup> /h / 1.800 m <sup>3</sup> /h
Rotating speed	930 1/min / 1.425 1/min
Speed controllable	✓
Reversing capacity	✓
Type of voltage	Three-phase AC
Rated voltage	400 V
Frequency	50 Hz
Nominal output	90 W / 120 W
I <sub>nom</sub>	0,35 A / 0,4 A
I <sub>max</sub>	0,35 A / 0,4 A
Degree of protection	IP 55
Insulation class	B
Pole-changeable	✓
Number of poles at high speed	4
Number of poles at low speed	6
Installation position	horizontal / vertical
Material	Sheet steel, galvanised
Weight	12,6 kg
Weight including packaging	12,5 kg
Nominal size	300 mm
Width with packaging	435 mm
Height with packaging	330 mm
Depth with packaging	420 mm
Airstream temperature at nominal current	60 °C
Airstream temperature at I <sub>Max</sub>	60 °C
Packing unit	1 piece
Range	C
GTIN (EAN)	4012799860433

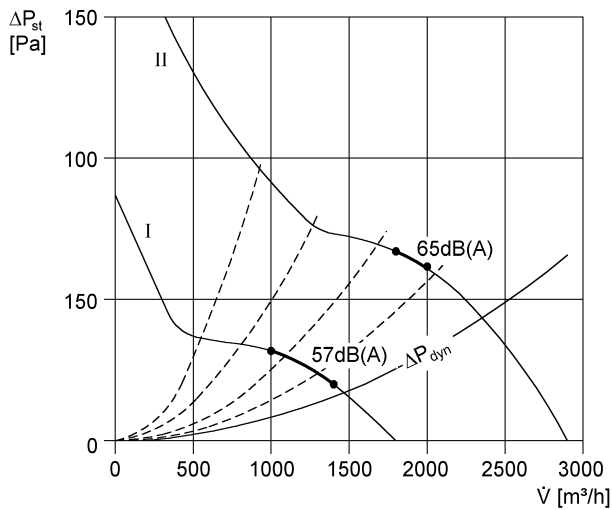
# DZR 30/64 B

## Sound power level in octave range

	63 Hz	125 Hz	250 Hz	500 Hz	1 kHz	2 kHz	4 kHz	8 kHz	Total
<b>L<sub>WA2, low</sub></b> <b>(dB(A))</b>	20	42	42	48	45	42	38	27	52
<b>L<sub>WA2, high</sub></b> <b>(dB(A))</b>	27	43	53	57	57	53	50	35	62
<b>L<sub>WA5, low</sub></b> <b>(dB(A))</b>	21	38	55	58	51	52	44	30	61
<b>L<sub>WA5, high</sub></b> <b>(dB(A))</b>	25	41	60	65	61	63	57	46	69
<b>L<sub>WA8, low</sub></b> <b>(dB(A))</b>	29	45	49	61	58	58	58	56	66
<b>L<sub>WA8, high</sub></b> <b>(dB(A))</b>	43	49	60	71	70	70	70	67	77

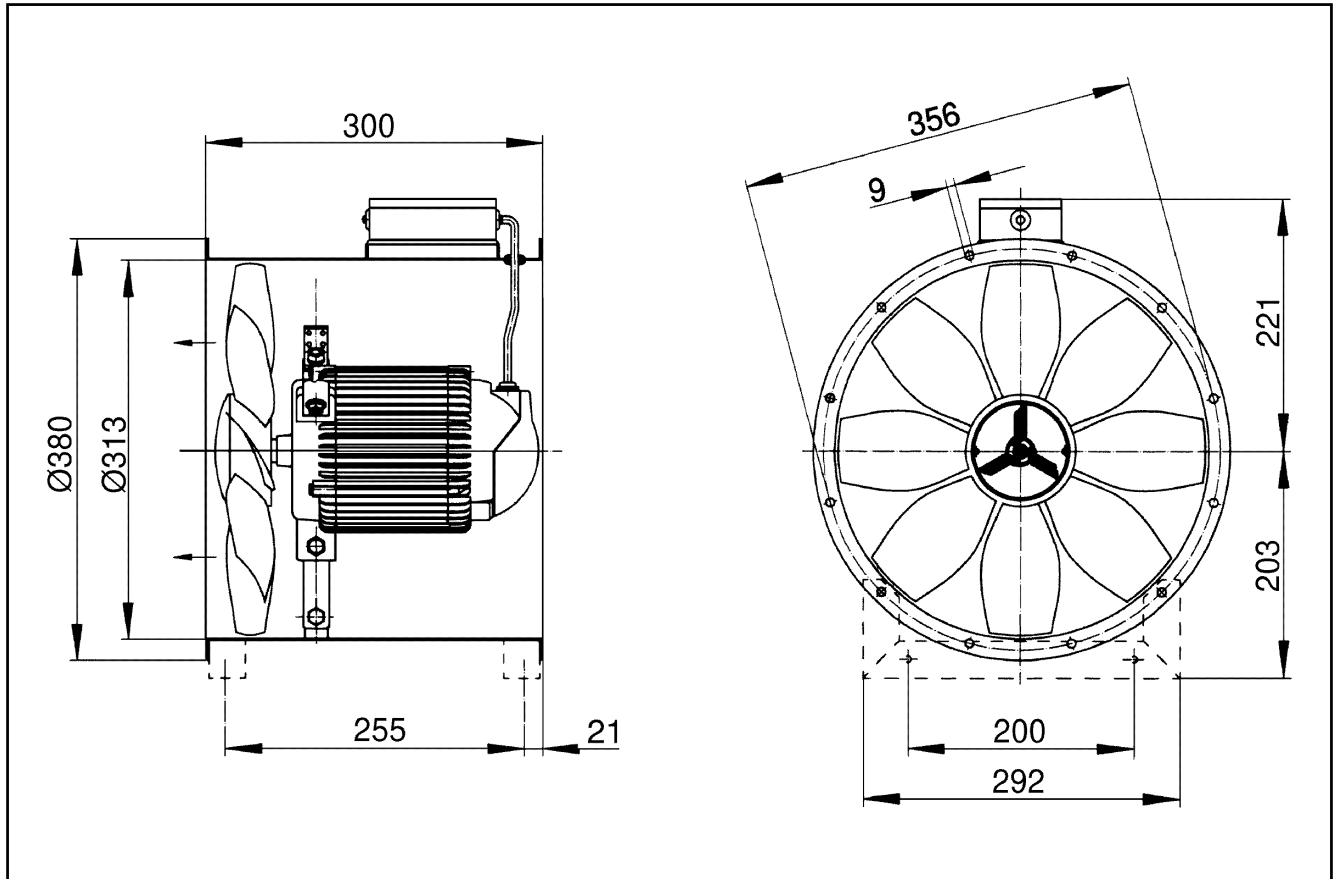
L<sub>WA2</sub>= housing sound power level in dB.  
 L<sub>WA5</sub>= free inlet sound power level in dB.  
 L<sub>WA8</sub>= housing and free outlet sound power level in dB.

## Characteristic curve



# DZR 30/64 B

Dimensioned drawing [mm]



Number of flange holes: 8