

DZR 30/6 B Ex t



Short description

Axial duct fan, DN300, three-phase AC, explosion-proof, medium: dust

Article number 0086.0723

Technical data

| | |
|--|---|
| Air flow volume | 1.130 m ³ /h |
| Rotating speed | 985 1/min |
| Speed controllable | ✓ |
| Reversing capacity | ✓ |
| Type of voltage | Three-phase AC |
| Rated voltage | 400 V |
| Frequency | 50 Hz |
| Nominal output | 25 W |
| cosφ | 0,27 |
| I _{nom} | 0,12 A |
| I _{max} at U _{Nominal} | 0,13 A |
| Degree of protection | IP 64 |
| Insulation class | F |
| Material | Sheet steel, galvanised |
| Colour | galvanised |
| Weight | 11,8 kg |
| Weight including packaging | 12,68 kg |
| Nominal size | 300 mm |
| Width | 424 mm |
| Height | 424 mm |
| Depth | 300 mm |
| Width with packaging | 420 mm |
| Height with packaging | 430 mm |
| Depth with packaging | 330 mm |
| EX designation in accordance with the ATEX Directive | Ex II 2 D |
| EX designation in accordance with standard | Ex tb IIIB T135°C Db IP64 X / Ex h IIIB T135°C Db X |
| Ta ambient temperature | -20 °C ≤ Ta ≤ +40 °C |
| Time t _A | 1390 sek |
| Operating mode | S1 |

DZR 30/6 B Ex t

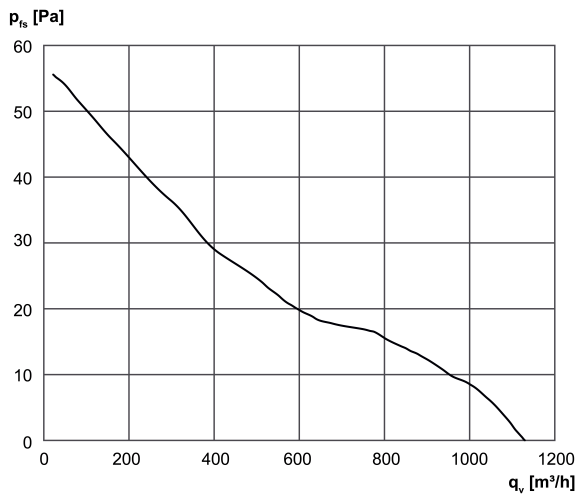
| | |
|---|---|
| PTC DIN 44082 | M 80 |
| EC type examination certificate | TÜV-A 19 ATEX0103 X, IECEx EPS 19.0019X |
| Temperature class | T135°C |
| Temperature class of insulating materials Th. Cl. | 155 (F) |
| Packing unit | 1 piece |
| Range | C |
| GTIN (EAN) | 4012799867234 |

Sound power level in octave range

| | 63 Hz | 125 Hz | 250 Hz | 500 Hz | 1 kHz | 2 kHz | 4 kHz | 8 kHz | Total |
|---------------------------------------|-------|--------|--------|--------|-------|-------|-------|-------|-------|
| L_{WA5}, high (dB) | - | - | - | - | - | - | - | - | 58 |

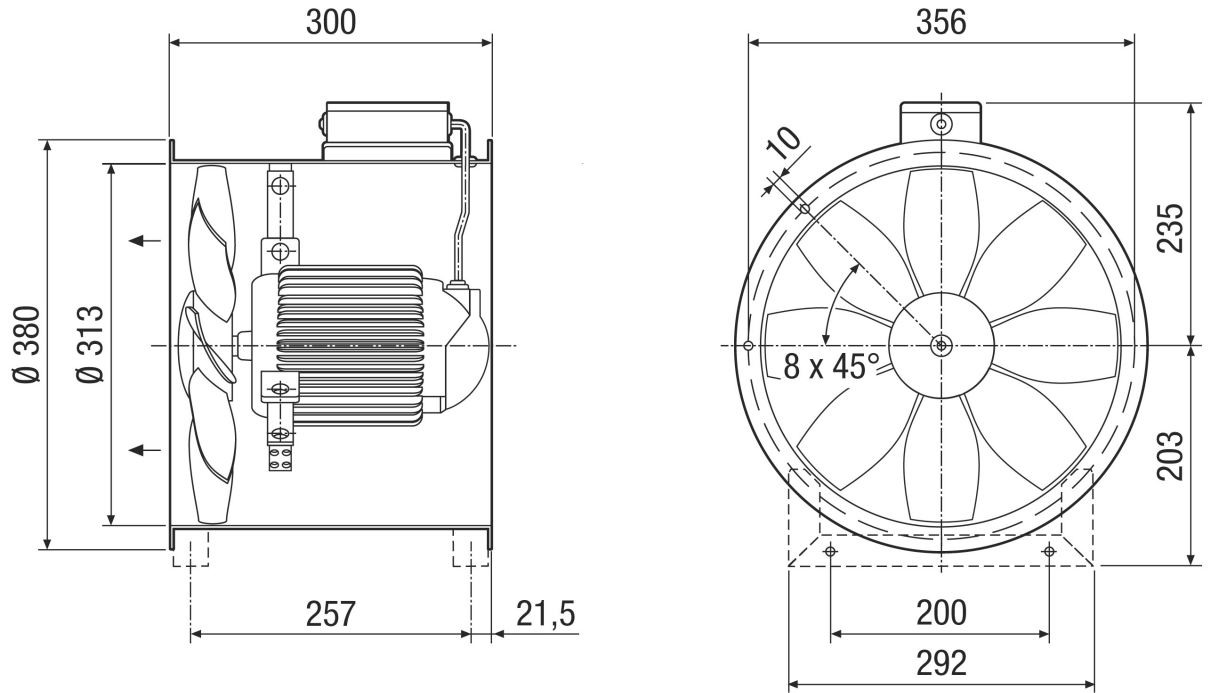
L_{WA5}= free inlet sound power level in dB.

Characteristic curve



DZR 30/6 B Ex t

Dimensioned drawing [mm]



Number of flange holes: 8