

DZR 35/4 B Ex t



Short description

Axial duct fan, DN350, three-phase AC, explosion-proof, medium: dust

Article number 0086.0727

Technical data

Air flow volume	2.650 m ³ /h
Rotating speed	1.455 1/min
Speed controllable	✓
Reversing capacity	✓
Type of voltage	Three-phase AC
Rated voltage	400 V
Frequency	50 Hz
Nominal output	125 W
cosφ	0,36
I _{nom}	0,49 A
I _{max} at U _{Nominal}	0,5 A
Degree of protection	IP 64
Insulation class	F
Material	Sheet steel, galvanised
Colour	galvanised
Weight	10,6 kg
Weight including packaging	12,35 kg
Nominal size	350 mm
Width	474 mm
Height	474 mm
Depth	320 mm
Width with packaging	475 mm
Height with packaging	480 mm
Depth with packaging	355 mm
EX designation in accordance with the ATEX Directive	Ex II 2 D
EX designation in accordance with standard	Ex tb IIIB T200°C Db IP64 X / Ex h IIIB T200°C Db X
Ta ambient temperature	-20 °C ≤ Ta ≤ +60 °C
Time t _A	170 sek
Operating mode	S1

DZR 35/4 B Ex t

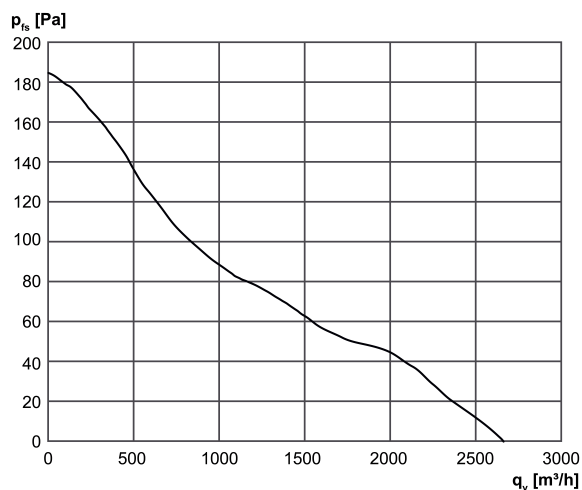
PTC DIN 44082	M 130
EC type examination certificate	TÜV-A 19 ATEX0103 X, IECEx EPS 19.0019X
Temperature class	T200°C
Temperature class of insulating materials Th. Cl.	155 (F)
Packing unit	1 piece
Range	C
GTIN (EAN)	4012799867272

Sound power level in octave range

	63 Hz	125 Hz	250 Hz	500 Hz	1 kHz	2 kHz	4 kHz	8 kHz	Total
L_{WA5, high} (dB)	-	-	-	-	-	-	-	-	72

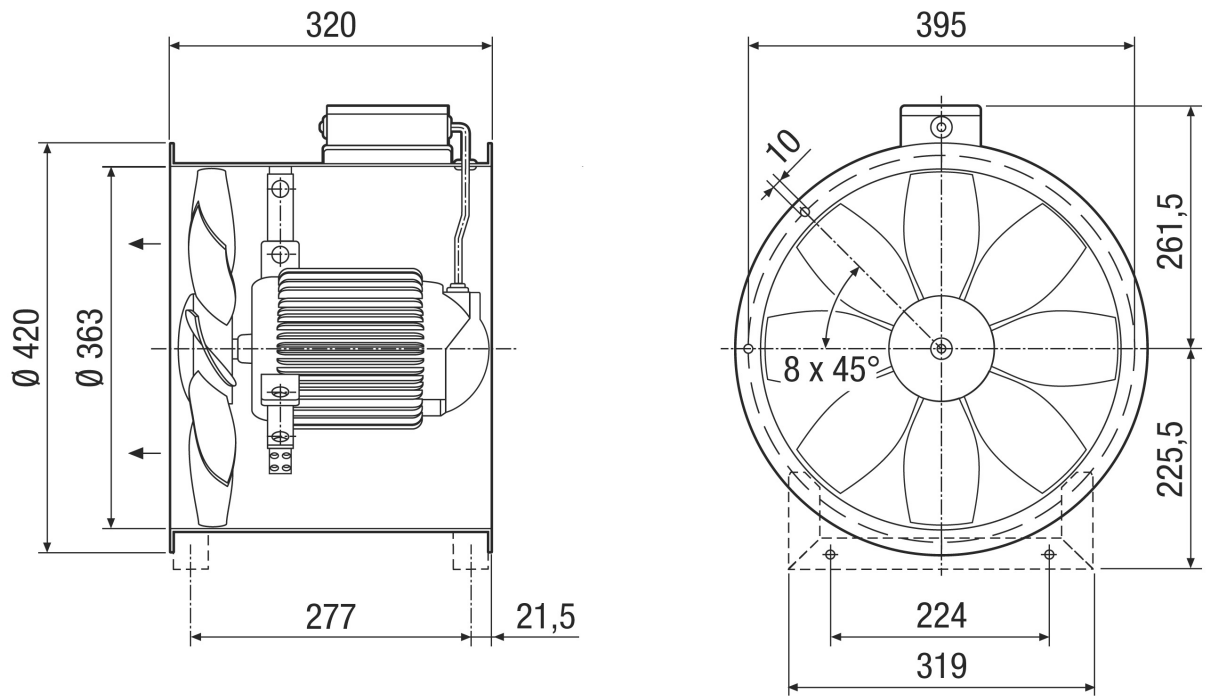
L_{WA5}= free inlet sound power level in dB.

Characteristic curve



DZR 35/4 B Ex t

Dimensioned drawing [mm]



Number of flange holes: 8