

DZR 35/64 B



Short description

Axial duct fan, DN 350, three-phase AC, pole-changeable

Application examples

Machine extraction unit, Showroom, Foreman's office, Workshop, Production site

Article number 0086.0046

Technical data

Air flow volume	1.800 m³/h / 2.800 m³/h
Rotating speed	930 1/min / 1.425 1/min
Speed controllable	✓
Reversing capacity	✓
Type of voltage	Three-phase AC
Rated voltage	400 V
Frequency	50 Hz
Nominal output	90 W / 120 W
I _{nom}	0,35 A / 0,4 A
I _{max}	0,35 A / 0,4 A
Degree of protection	IP 55
Insulation class	B
Pole-changeable	✓
Number of poles at high speed	4
Number of poles at low speed	6
Installation position	horizontal / vertical
Material	Sheet steel, galvanised
Weight	12,815 kg
Weight including packaging	14,245 kg
Nominal size	350 mm
Width with packaging	475 mm
Height with packaging	480 mm
Depth with packaging	345 mm
Airstream temperature at nominal current	60 °C
Airstream temperature at I _{Max}	60 °C
Packing unit	1 piece
Range	C
GTIN (EAN)	4012799860464

DZR 35/64 B

Sound power level in octave range

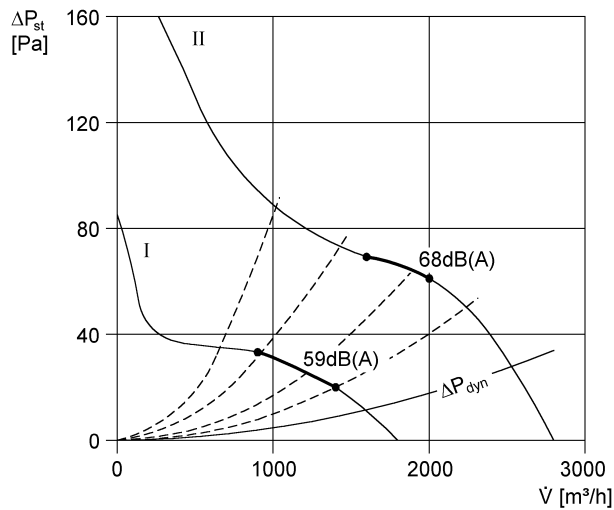
	63 Hz	125 Hz	250 Hz	500 Hz	1 kHz	2 kHz	4 kHz	8 kHz	Total
L_{WA2, high} (dB(A))	27	43	53	57	57	53	50	35	62
L_{WA2, low} (dB(A))	20	42	42	48	45	42	38	27	52
L_{WA5, high} (dB(A))	29	46	63	68	66	65	60	47	72
L_{WA5, low} (dB(A))	25	45	58	59	53	55	47	33	63
L_{WA8, high} (dB(A))	47	53	64	73	74	73	71	68	79
L_{WA8, low} (dB(A))	34	50	55	63	64	64	65	63	71

L_{WA2}= housing sound power level in dB.

L_{WA5}= free inlet sound power level in dB.

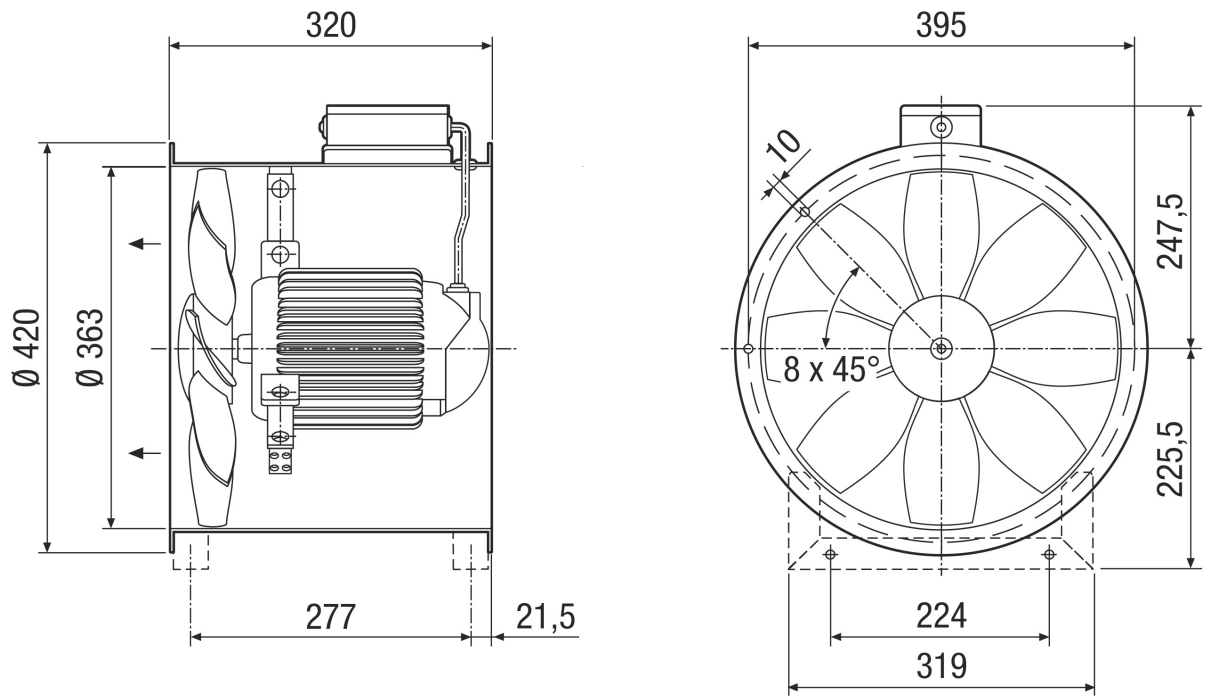
L_{WA8}= housing and free outlet sound power level in dB.

Characteristic curve



DZR 35/64 B

Dimensioned drawing [mm]



Number of flange holes: 8