

# DZR 40/42 B



## Short description

Axial duct fan, DN 400, three-phase AC, pole-changeable

## Application examples

Machine extraction unit, Showroom, Foreman's office, Workshop, Production site

Article number 0086.0066

## Technical data

Air flow volume	4.550 m <sup>3</sup> /h / 9.140 m <sup>3</sup> /h
Air volume <sub>nom</sub>	3.190 m <sup>3</sup> /h / 6.580 m <sup>3</sup> /h (in opt. efficiency)
Pressure p <sub>fs, nom</sub>	90 Pa - 350 Pa (in opt. efficiency)
Rotating speed n <sub>nom</sub>	1.480 1/min - 2.920 1/min (in opt. efficiency)
Rotating speed	1.487 1/min / 2.948 1/min
Impeller type	axial
Speed controllable	✓
Reversing capacity	✓
Type of voltage	Three-phase AC
Rated voltage	400 V
Frequency	50 Hz
Nominal output	240 W / 1.610 W (in opt. efficiency)
I <sub>nom</sub>	0,8 A / 2,7 A (in opt. efficiency)
I <sub>max</sub>	4 A
Degree of protection	IP 55
Insulation class	F
Pole-changeable	✓
Number of poles at high speed	2
Number of poles at low speed	4
Mains cable	5 x 1,5 mm <sup>2</sup>
Installation position	horizontal / vertical
Material	Sheet steel, galvanised
Colour	Silver
Weight	22,97 kg
Weight including packaging	25,07 kg
Nominal size	400 mm
Width	438 mm
Height	438 mm
Depth	370 mm

# DZR 40/42 B

Width with packaging	515 mm
Height with packaging	495 mm
Depth with packaging	400 mm
Airstream temperature at nominal current	60 °C
Airstream temperature at $I_{Max}$	60 °C
Packing unit	1 piece
Range	C
GTIN (EAN)	4012799860662

## Technical data according to ErP in Best Efficiency Point (BEP)

Total efficiency $\eta$	58,3 %
Measurement category	D
Efficiency category	total
Efficiency level N	63,7
VSD necessary	No
Year of manufacture	see rating plate
Manufacturer's name / official registration number / manufacturer's place of establishment	Maico Elektroapparate-Fabrik GmbH / Freiburg registration court, HRB 601233 / Villingen-Schwenningen
Art. No.	0086.0066
$P_{BEP}$ / Air volume $_{BEP}$ / $P_{fs, BEP}$	0,24 kW / 1,61 kW / 7.900 m <sup>3</sup> /h
$n_{BEP}$	2.930 1/min
Specific ratio	$\approx 1$
Information about dismantling and disposal	see mounting instructions
Information about installation, operation and repairs	see mounting instructions
Objects used to measure efficiency which are not described by the measurement category	-
$P_{f, BEP}$	380 Pa
Sound power level $_{L_{WA5}}$	76 dB(A) / 93 dB(A)

## Sound power level in octave range

	63 Hz	125 Hz	250 Hz	500 Hz	1 kHz	2 kHz	4 kHz	8 kHz	Total
<b><math>L_{WA2, high}</math> (dB(A))</b>	48	64	65	77	87	78	75	65	88
<b><math>L_{WA2, low}</math> (dB(A))</b>	32	49	59	67	67	60	57	45	71
<b><math>L_{WA5, high}</math> (dB(A))</b>	45	65	73	87	94	92	83	75	97
<b><math>L_{WA5, low}</math> (dB(A))</b>	32	50	70	72	73	70	64	53	78
<b><math>L_{WA8, high}</math> (dB(A))</b>	73	76	84	96	98	96	91	85	102

# DZR 40/42 B

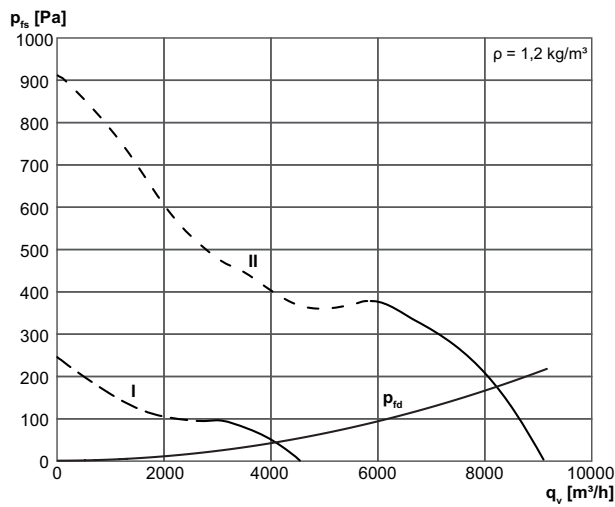
	63 Hz	125 Hz	250 Hz	500 Hz	1 kHz	2 kHz	4 kHz	8 kHz	Total
<b>L<sub>WA8, low</sub></b> <b>(dB(A))</b>	53	58	71	79	78	77	76	73	84

L<sub>WA2</sub>= housing sound power level in dB.

L<sub>WA5</sub>= free inlet sound power level in dB.

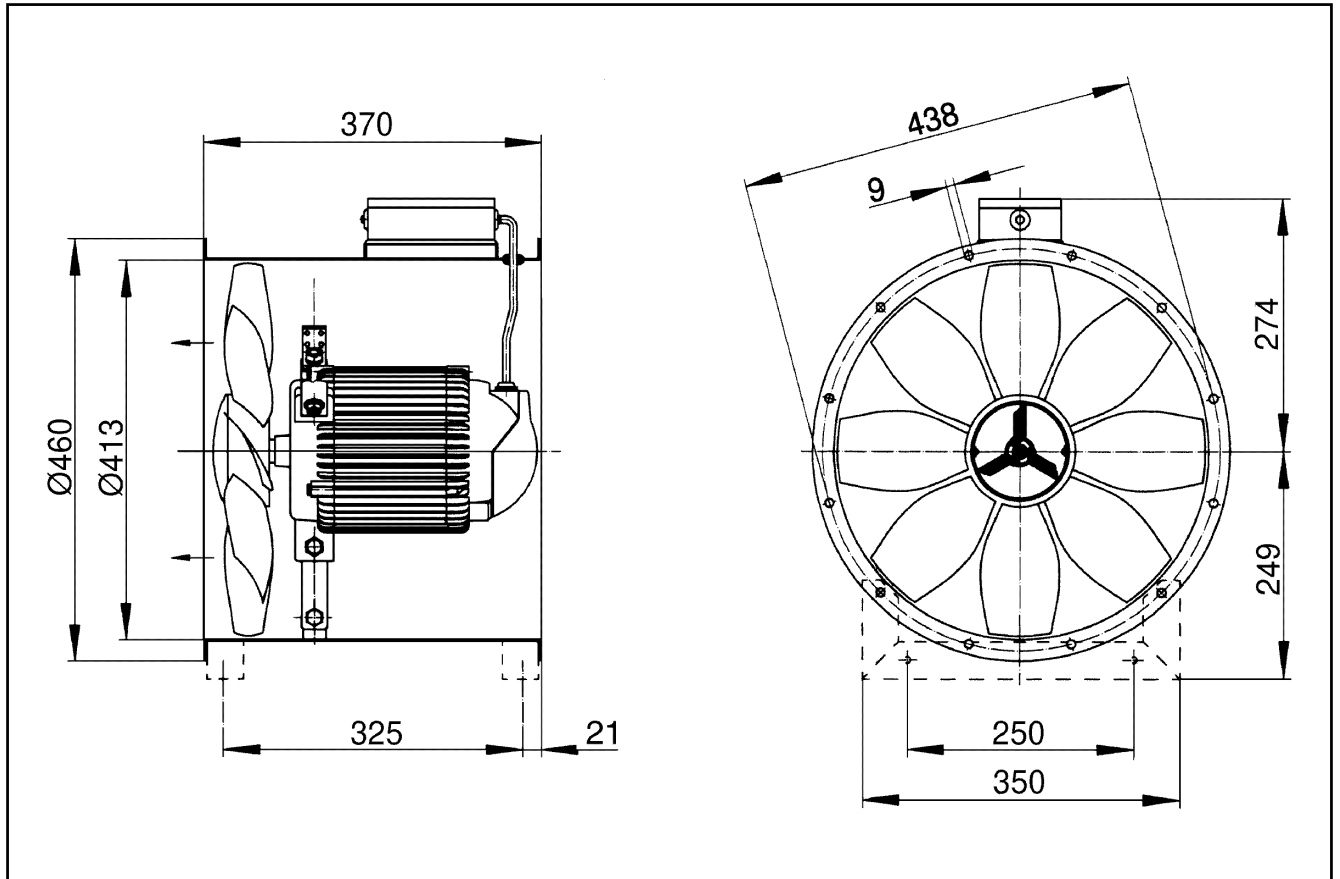
L<sub>WA8</sub>= housing and free outlet sound power level in dB.

## Characteristic curve



# DZR 40/42 B

Dimensioned drawing [mm]



Number of flange holes: 12