

DZR 40/6 B



Short description

Axial duct fan, DN 400, three-phase AC

Application examples

Machine extraction unit, Showroom, Foreman's office, Workshop, Production site

Article number 0086.0029

Technical data

Air flow volume	2.680 m³/h
Rotating speed	930 1/min
Impeller type	axial
Speed controllable	✓
Reversing capacity	✓
Type of voltage	Three-phase AC
Rated voltage	400 V
Frequency	50 Hz
Nominal output	110 W
I _{nom}	0,3 A
I _{max}	0,3 A
Degree of protection	IP 55
Insulation class	B
Pole-changeable	–
Mains cable	7 x 1,5 mm²
Installation position	horizontal / vertical
Material	Sheet steel, galvanised
Colour	Silver
Weight	11,58 kg
Weight including packaging	13,48 kg
Nominal size	400 mm
Width	438 mm
Height	438 mm
Depth	370 mm
Width with packaging	495 mm
Height with packaging	515 mm
Depth with packaging	400 mm
Airstream temperature at nominal current	-20 °C up to 60 °C
Airstream temperature at I _{Max}	-20 °C up to 60 °C

DZR 40/6 B

Packing unit	1 piece
Range	C
GTIN (EAN)	4012799860297

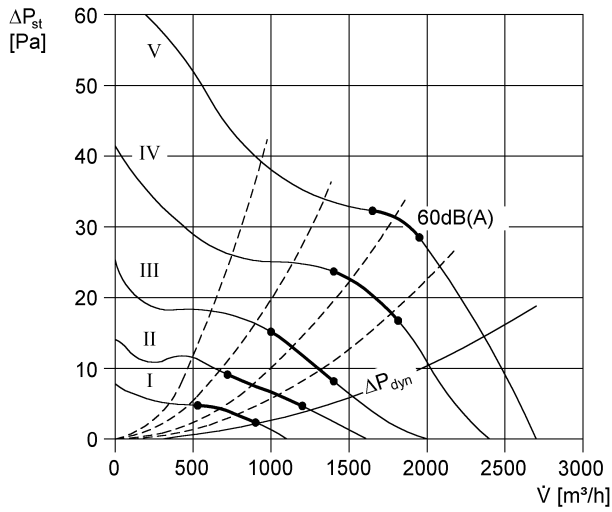
Sound power level in octave range

	63 Hz	125 Hz	250 Hz	500 Hz	1 kHz	2 kHz	4 kHz	8 kHz	Total
L_{WA2}, S1 (dB(A))	17	22	19	21	18	16	17	9	28
L_{WA2}, S2 (dB(A))	27	27	39	31	31	26	22	13	41
L_{WA2}, S3 (dB(A))	27	34	37	37	38	34	28	19	44
L_{WA2}, S4 (dB(A))	29	42	43	43	43	40	35	23	50
L_{WA2}, S5 (dB(A))	26	41	42	52	47	45	40	27	54
L_{WA5}, S1 (dB(A))	22	33	37	30	30	27	19	10	40
L_{WA5}, S2 (dB(A))	29	33	54	41	42	41	30	17	55
L_{WA5}, S3 (dB(A))	25	43	55	48	48	48	38	24	57
L_{WA5}, S4 (dB(A))	27	46	55	53	53	53	44	30	60
L_{WA5}, S5 (dB(A))	27	47	57	60	57	57	49	35	64
L_{WA6}, S1 (dB(A))	24	29	33	36	34	30	18	8	40
L_{WA6}, S2 (dB(A))	34	36	45	47	47	45	34	19	52
L_{WA6}, S3 (dB(A))	36	43	53	54	54	53	47	42	60
L_{WA6}, S4 (dB(A))	37	49	57	59	62	62	63	61	69
L_{WA6}, S5 (dB(A))	39	51	60	66	66	66	67	65	73

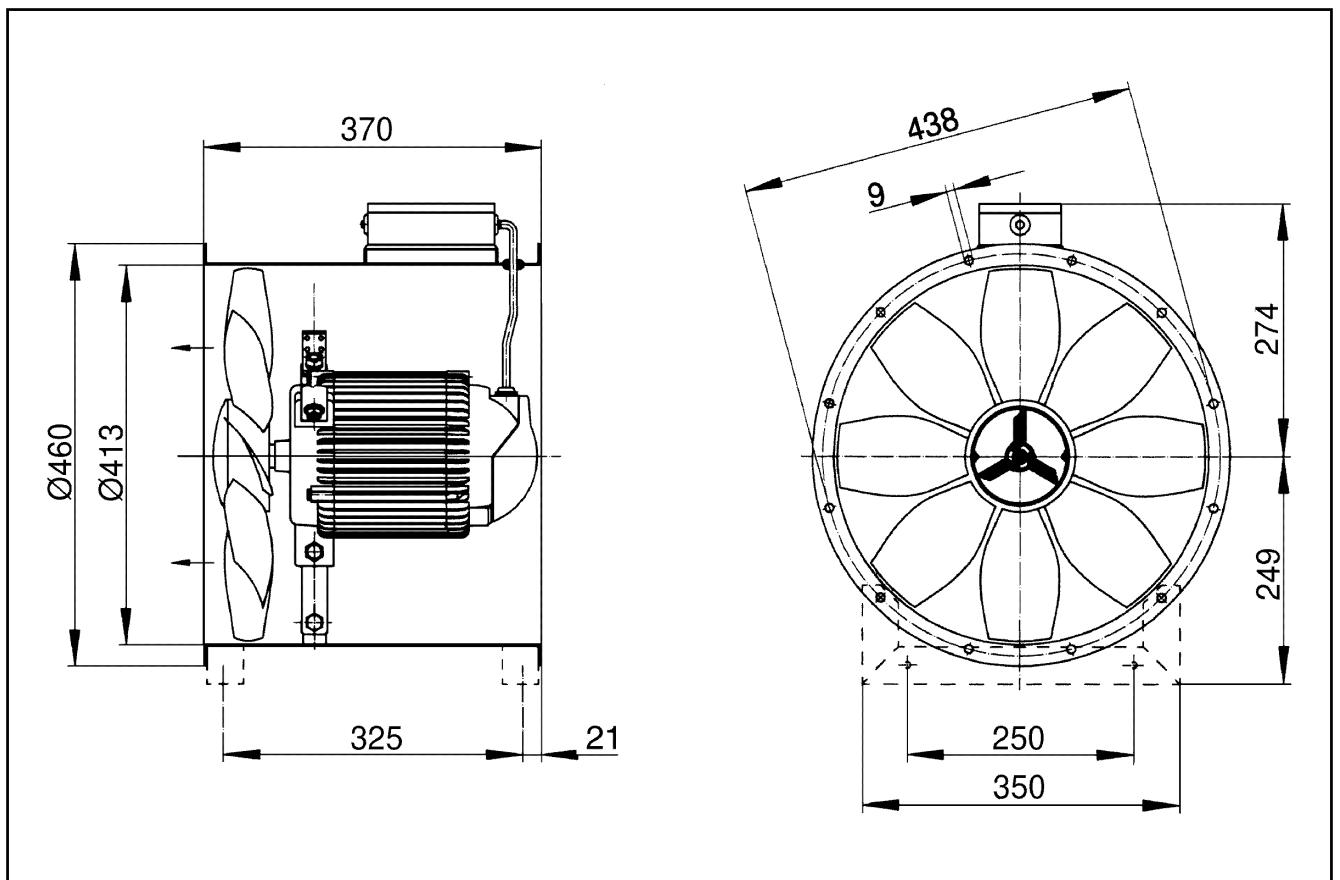
L_{WA2}= housing sound power level in dB.
 L_{WA5}= free inlet sound power level in dB.
 L_{WA6}= free outlet sound power level in dB.

DZR 40/6 B

Characteristic curve



Dimensioned drawing [mm]



Number of flange holes: 12