

DZR 50/84 B



Short description

Axial duct fan, DN 500, three-phase AC, pole-changeable

Application examples

Machine extraction unit, Showroom, Foreman's office, Workshop, Production site

Article number 0086.0052

Technical data

Air flow volume	4.490 m ³ /h / 8.990 m ³ /h
Air volume _{nom}	3.190 m ³ /h / 6.440 m ³ /h (in opt. efficiency)
Pressure p _{fs, nom}	36 Pa - 150 Pa (in opt. efficiency)
Rotating speed n _{nom}	720 1/min - 1.450 1/min (in opt. efficiency)
Rotating speed	721 1/min / 1.475 1/min
Impeller type	axial
Speed controllable	✓
Reversing capacity	✓
Type of voltage	Three-phase AC
Rated voltage	400 V
Frequency	50 Hz
Nominal output	135 W / 710 W (in opt. efficiency)
I _{nom}	0,5 A / 1,4 A (in opt. efficiency)
I _{max}	1,8 A
Degree of protection	IP 55
Insulation class	F
Pole-changeable	✓
Number of poles at high speed	4
Number of poles at low speed	8
Installation position	horizontal / vertical
Material	Sheet steel, galvanised
Colour	Silver
Weight	21,87 kg
Weight including packaging	25,42 kg
Nominal size	500 mm
Width	565 mm
Height	624 mm
Depth	370 mm
Width with packaging	670 mm

DZR 50/84 B

Height with packaging	650 mm
Depth with packaging	405 mm
Airstream temperature at nominal current	60 °C
Airstream temperature at I_{Max}	-20 °C up to 60 °C
Packing unit	1 piece
Range	C
GTIN (EAN)	4012799860525

Technical data according to ErP in Best Efficiency Point (BEP)

Total efficiency η	55,7 %
Measurement category	D
Efficiency category	total
Efficiency level N	63,4
VSD necessary	No
Year of manufacture	see rating plate
Manufacturer's name / official registration number / manufacturer's place of establishment	Maico Elektroapparate-Fabrik GmbH / Freiburg registration court, HRB 601233 / Villingen-Schwenningen
Art. No.	0086.0052
P_{BEP} / Air volume $_{BEP}$ / $P_{fs, BEP}$	0,61 kW / 8.150 m ³ /h
n_{BEP}	1.470 1/min
Specific ratio	≈ 1
Information about dismantling and disposal	see mounting instructions
Information about installation, operation and repairs	see mounting instructions
Objects used to measure efficiency which are not described by the measurement category	-
$P_{f, BEP}$	150 Pa
Sound power level $_{L_{WA5}}$	65 dB(A) / 84 dB(A)

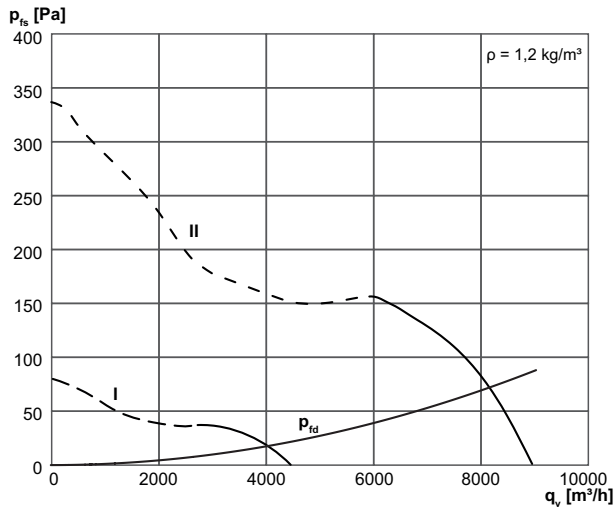
Sound power level in octave range

	63 Hz	125 Hz	250 Hz	500 Hz	1 kHz	2 kHz	4 kHz	8 kHz	Total
$L_{WA2, high}$ (dB(A))	42	53	65	69	70	67	62	51	75
$L_{WA2, low}$ (dB(A))	32	48	49	50	50	48	41	32	56
$L_{WA5, high}$ (dB(A))	40	57	76	79	79	76	71	61	84
$L_{WA5, low}$ (dB(A))	30	49	60	59	58	56	49	37	65
$L_{WA8, high}$ (dB(A))	62	69	78	86	86	85	83	80	92
$L_{WA8, low}$ (dB(A))	46	56	63	66	68	68	69	66	75

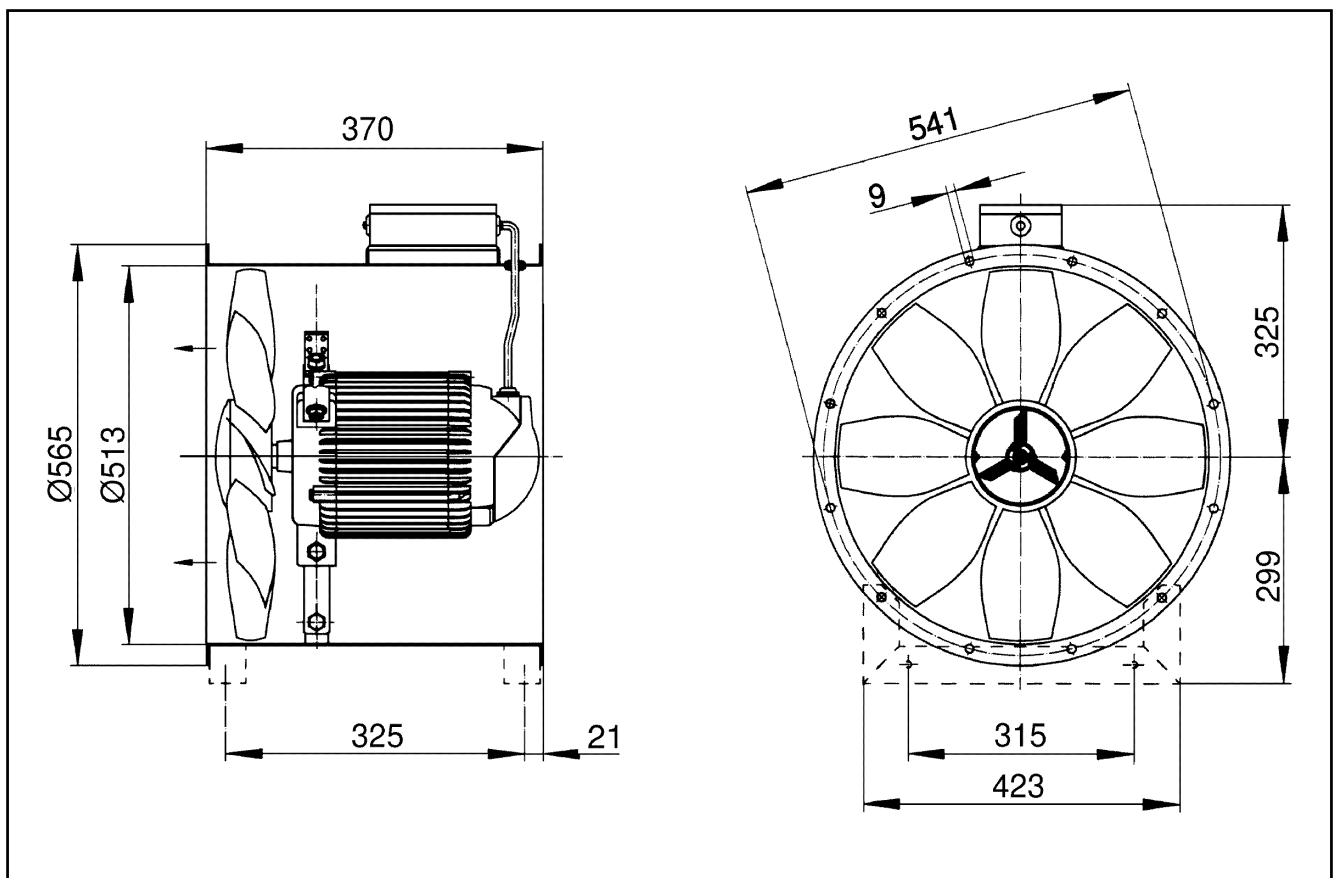
DZR 50/84 B

L_{WA2} = housing sound power level in dB.
 L_{WA5} = free inlet sound power level in dB.
 L_{WA8} = housing and free outlet sound power level in dB.

Characteristic curve



Dimensioned drawing [mm]





DZR 50/84 B

Number of flange holes: 12