

# DZR 60/6 B



## Short description

Axial duct fan, DN 600, three-phase AC

## Application examples

Machine extraction unit, Showroom, Foreman's office, Workshop, Production site

Article number 0086.0064

## Technical data

|                            |  |
|----------------------------|--|
| Air flow volume            | 10.060 m <sup>3</sup> /h                     |
| Air volume $e_{nom}$       | 7.210 m <sup>3</sup> /h (in opt. efficiency) |
| Pressure $p_{fs, nom}$     | 85 Pa (in opt. efficiency)                   |
| Rotating speed $n_{nom}$   | 930 1/min (in opt. efficiency)               |
| Rotating speed             | 954 1/min                                    |
| Impeller type              | axial  |
| Speed controllable         | ✓  |
| Reversing capacity         | ✓  |
| Type of voltage            | Three-phase AC                               |
| Rated voltage              | 400 V  |
| Frequency                  | 50 Hz  |
| Nominal output             | 510 W (in opt. efficiency)                   |
| $I_{nom}$                  | 1,1 A (in opt. efficiency)                   |
| $I_{max}$                  | 1,3 A  |
| Degree of protection       | IP 55  |
| Insulation class           | F  |
| Pole-changeable            | –  |
| Mains cable                | 7 x 1,5 mm <sup>2</sup>                      |
| Installation position      | horizontal / vertical                        |
| Material                   | Sheet steel, galvanised                      |
| Colour                     | Silver                                       |
| Weight                     | 24,89 kg                                     |
| Weight including packaging | 29,25 kg                                     |
| Nominal size               | 600 mm                                       |
| Width                      | 710 mm                                       |
| Height                     | 745 mm                                       |
| Depth                      | 400 mm                                       |
| Width with packaging       | 785 mm                                       |
| Height with packaging      | 795 mm                                       |

# DZR 60/6 B

|   |               |
|---|---------------|
| Depth with packaging                      | 435 mm        |
| Airstream temperature at nominal current  | 60 °C         |
| Airstream temperature at I <sub>Max</sub> | 60 °C         |
| Packing unit                              | 1 piece       |
| Range                                     | C             |
| GTIN (EAN)                                | 4012799860648 |

## Technical data according to ErP in Best Efficiency Point (BEP)

|  |  |
|--|--|
| Total efficiency $\eta$  | 50,1 %   |
| Measurement category   | D  |
| Efficiency category  | total  |
| Efficiency level N   | 58,6   |
| VSD necessary  | No   |
| Year of manufacture  | see rating plate   |
| Manufacturer's name / official registration number / manufacturer's place of establishment | Maico Elektroapparate-Fabrik GmbH / Freiburg registration court, HRB 601233 / Villingen-Schwenningen |
| Art. No.   | 0086.0064  |
| P <sub>BEP</sub> / Air volume <sub>BEP</sub> / P <sub>fs, BEP</sub>                        | 0,456 kW / 8.840 m <sup>3</sup> /h   |
| n <sub>BEP</sub>   | 940 1/min  |
| Specific ratio   | ≈ 1  |
| Information about dismantling and disposal   | see mounting instructions  |
| Information about installation, operation and repairs                                      | see mounting instructions  |
| Objects used to measure efficiency which are not described by the measurement category     | -  |
| P <sub>f, BEP</sub>  | 93 Pa  |
| Sound power level <sub>L<sub>WA5</sub></sub>   | 76 dB(A)   |

## Sound power level in octave range

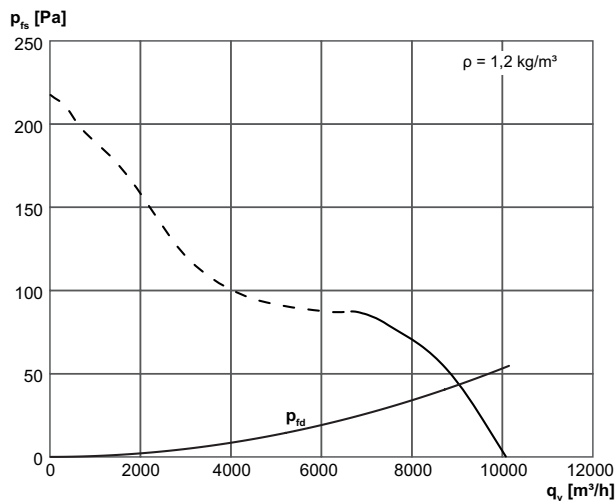
|  | 63 Hz | 125 Hz | 250 Hz | 500 Hz | 1 kHz | 2 kHz | 4 kHz | 8 kHz | Total |
|--|-------|--------|--------|--------|-------|-------|-------|-------|-------|
| <b>L<sub>WA2, S1</sub></b><br><b>(dB(A))</b> | -     | -      | -      | -      | -     | -     | -     | -     | 44    |
| <b>L<sub>WA2, S2</sub></b><br><b>(dB(A))</b> | -     | -      | -      | -      | -     | -     | -     | -     | 51    |
| <b>L<sub>WA2, S3</sub></b><br><b>(dB(A))</b> | -     | -      | -      | -      | -     | -     | -     | -     | 60    |
| <b>L<sub>WA2, S4</sub></b><br><b>(dB(A))</b> | -     | -      | -      | -      | -     | -     | -     | -     | 68    |
| <b>L<sub>WA2, S5</sub></b><br><b>(dB(A))</b> | 40    | 53     | 54     | 64     | 62    | 59    | 51    | 39    | 67    |
| <b>L<sub>WA5, S1</sub></b><br><b>(dB(A))</b> | -     | -      | -      | -      | -     | -     | -     | -     | 51    |

# DZR 60/6 B

|  | 63 Hz | 125 Hz | 250 Hz | 500 Hz | 1 kHz | 2 kHz | 4 kHz | 8 kHz | Total |
|--|-------|--------|--------|--------|-------|-------|-------|-------|-------|
| <b>L<sub>WA5, S2</sub></b><br><b>(dB(A))</b> | -     | -      | -      | -      | -     | -     | -     | -     | 62    |
| <b>L<sub>WA5, S3</sub></b><br><b>(dB(A))</b> | -     | -      | -      | -      | -     | -     | -     | -     | 71    |
| <b>L<sub>WA5, S4</sub></b><br><b>(dB(A))</b> | -     | -      | -      | -      | -     | -     | -     | -     | 75    |
| <b>L<sub>WA5, S5</sub></b><br><b>(dB(A))</b> | 38    | 63     | 64     | 75     | 73    | 70    | 63    | 52    | 78    |
| <b>L<sub>WA6, S1</sub></b><br><b>(dB(A))</b> | -     | -      | -      | -      | -     | -     | -     | -     | 52    |
| <b>L<sub>WA6, S2</sub></b><br><b>(dB(A))</b> | -     | -      | -      | -      | -     | -     | -     | -     | 71    |
| <b>L<sub>WA6, S3</sub></b><br><b>(dB(A))</b> | -     | -      | -      | -      | -     | -     | -     | -     | 78    |
| <b>L<sub>WA6, S4</sub></b><br><b>(dB(A))</b> | -     | -      | -      | -      | -     | -     | -     | -     | 83    |
| <b>L<sub>WA6, S5</sub></b><br><b>(dB(A))</b> | 58    | 66     | 73     | 80     | 81    | 79    | 79    | 76    | 86    |

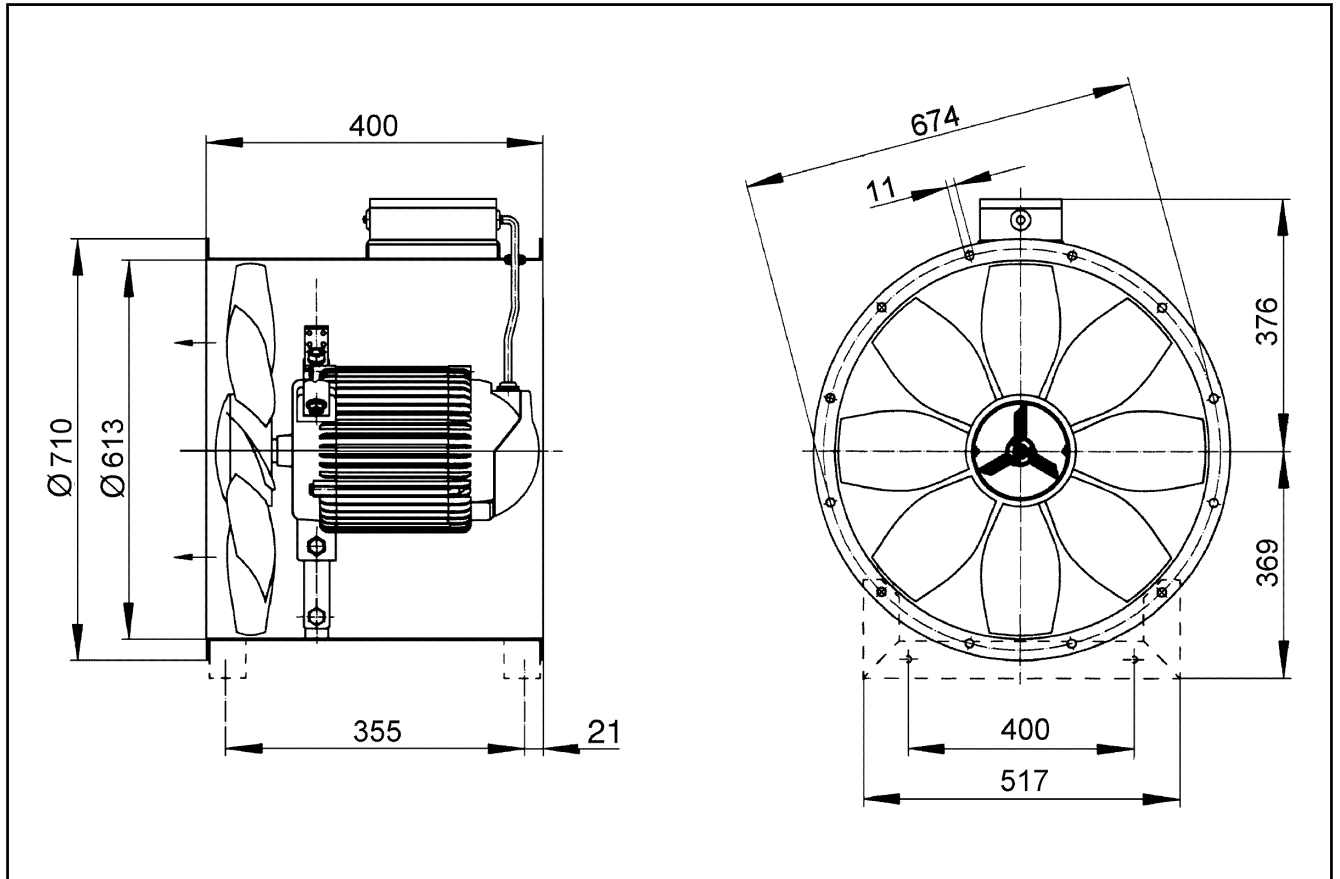
L<sub>WA2</sub>= housing sound power level in dB.  
 L<sub>WA5</sub>= free inlet sound power level in dB.  
 L<sub>WA6</sub>= free outlet sound power level in dB.

## Characteristic curve



# DZR 60/6 B

Dimensioned drawing [mm]



Number of flange holes: 16