

DZR 60/84 B



Short description

Axial duct fan, DN 600, three-phase AC, pole-changeable

Application examples

Machine extraction unit, Showroom, Foreman's office, Workshop, Production site

Article number 0086.0055

Technical data

Air flow volume	7.650 m ³ /h / 15.310 m ³ /h
Air volume _{nom}	5.660 m ³ /h / 11.490 m ³ /h (in opt. efficiency)
Pressure p _{fs, nom}	47 Pa - 195 Pa (in opt. efficiency)
Rotating speed n _{nom}	700 1/min - 1.430 1/min (in opt. efficiency)
Rotating speed	726 1/min / 1.459 1/min
Impeller type	axial
Speed controllable	✓
Reversing capacity	✓
Type of voltage	Three-phase AC
Rated voltage	400 V
Frequency	50 Hz
Nominal output	280 W / 1.630 W (in opt. efficiency)
I _{nom}	1 A / 3,1 A (in opt. efficiency)
I _{max}	3,9 A
Degree of protection	IP 55
Insulation class	F
Pole-changeable	✓
Number of poles at high speed	4
Number of poles at low speed	8
Installation position	horizontal / vertical
Material	Sheet steel, galvanised
Colour	Silver
Weight	36 kg
Weight including packaging	41 kg
Nominal size	600 mm
Width	710 mm
Height	745 mm
Depth	400 mm
Width with packaging	790 mm

DZR 60/84 B

Height with packaging	790 mm
Depth with packaging	430 mm
Airstream temperature at I_{Max}	50 °C
Packing unit	1 piece
Range	C
GTIN (EAN)	4012799860556

Technical data according to ErP in Best Efficiency Point (BEP)

Total efficiency η	59,2 %
Measurement category	D
Efficiency category	total
Efficiency level N	64,6
VSD necessary	No
Year of manufacture	see rating plate
Manufacturer's name / official registration number / manufacturer's place of establishment	Maico Elektroapparate-Fabrik GmbH / Freiburg registration court, HRB 601233 / Villingen-Schwenningen
Art. No.	0086.0055
P_{BEP} / Air volume $_{BEP}$ / $P_{fs, BEP}$	1,38 kW / 13.800 m ³ /h
n_{BEP}	1.440 1/min
Specific ratio	≈ 1
Information about dismantling and disposal	see mounting instructions
Information about installation, operation and repairs	see mounting instructions
Objects used to measure efficiency which are not described by the measurement category	-
P_f, BEP	213 Pa
Sound power level $_{L_{WA5}}$	70 dB(A) / 90 dB(A)

Sound power level in octave range

	63 Hz	125 Hz	250 Hz	500 Hz	1 kHz	2 kHz	4 kHz	8 kHz	Total
$L_{WA2, high}$ (dB(A))	49	57	69	73	74	69	62	52	78
$L_{WA2, low}$ (dB(A))	36	52	49	55	53	50	40	30	59
$L_{WA5, high}$ (dB(A))	45	64	82	86	85	81	75	66	90
$L_{WA5, low}$ (dB(A))	37	57	62	66	64	61	54	41	70
$L_{WA8, high}$ (dB(A))	62	69	78	86	86	85	83	80	92
$L_{WA8, low}$ (dB(A))	46	56	63	66	68	68	69	66	75

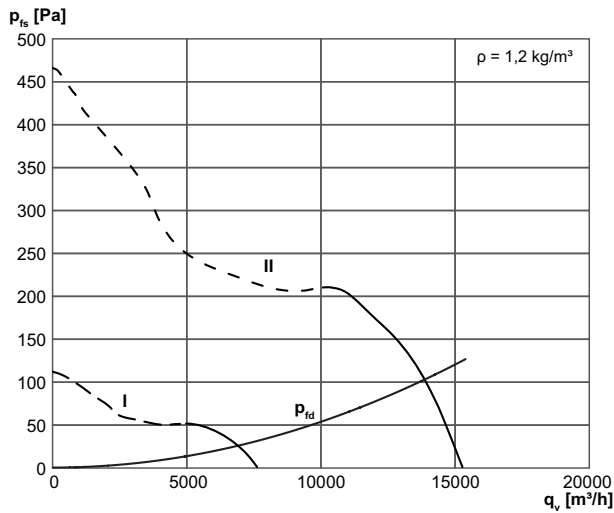
L_{WA2} = housing sound power level in dB.

DZR 60/84 B

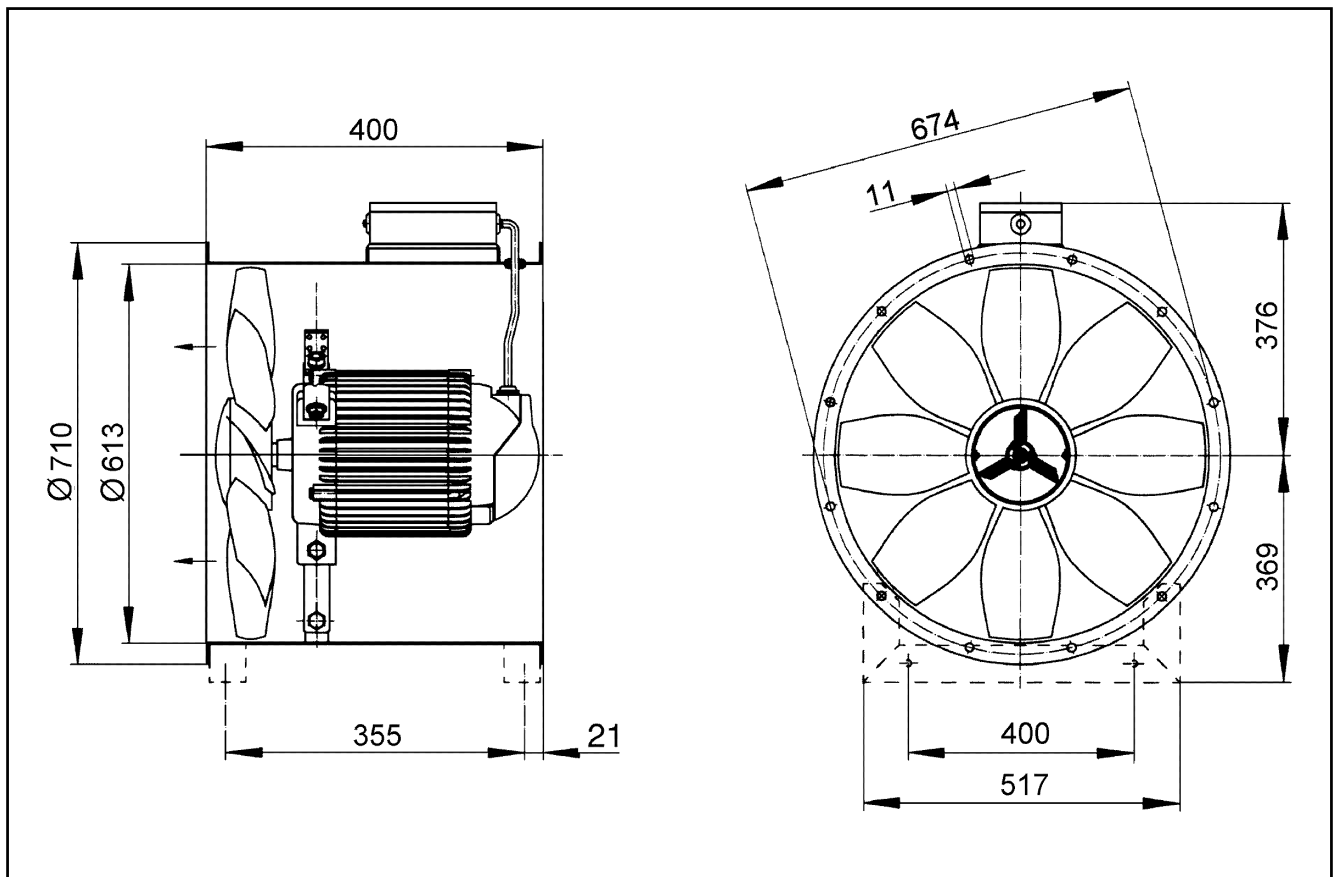
L_{WA5} = free inlet sound power level in dB.

L_{WA8} = housing and free outlet sound power level in dB.

Characteristic curve



Dimensioned drawing [mm]





DZR 60/84 B

Number of flange holes: 16