

DZR 60/86 B



Short description

Axial duct fan, DN 600, three-phase AC, pole-changeable

Application examples

Machine extraction unit, Showroom, Foreman's office, Workshop, Production site

Article number 0086.0069

Technical data

Air flow volume	7.900 m ³ /h / 10.500 m ³ /h
Rotating speed	725 1/min / 965 1/min
Speed controllable	✓
Reversing capacity	✓
Type of voltage	Three-phase AC
Rated voltage	400 V
Frequency	50 Hz
Nominal output	310 W / 600 W
I _{nom}	0,65 A / 1,2 A
I _{max}	0,9 A / 1,5 A
Degree of protection	IP 55
Insulation class	F
Pole-changeable	✓
Number of poles at high speed	6
Number of poles at low speed	8
Installation position	horizontal / vertical
Material	Sheet steel, galvanised
Weight	34,6 kg
Nominal size	600 mm
Width with packaging	795 mm
Height with packaging	425 mm
Depth with packaging	795 mm
Airstream temperature at I _{Max}	60 °C
Packing unit	1 piece
Range	C
GTIN (EAN)	4012799860693

DZR 60/86 B

Sound power level in octave range

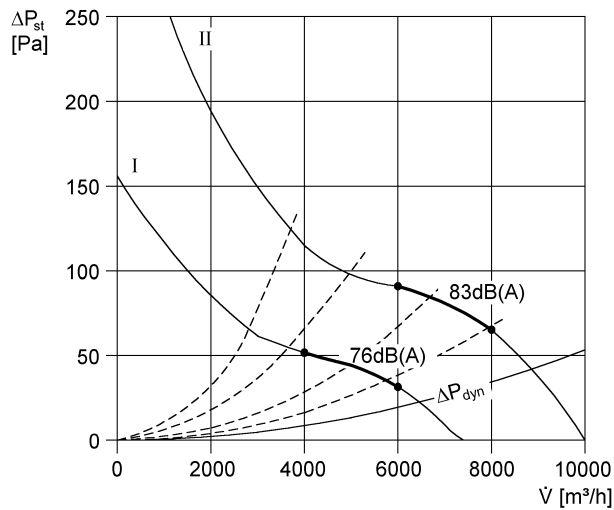
	63 Hz	125 Hz	250 Hz	500 Hz	1 kHz	2 kHz	4 kHz	8 kHz	Total
L_{WA2, high} (dB(A))	41	55	55	64	62	61	52	39	68
L_{WA2, low} (dB(A))	37	52	50	57	54	52	42	31	61
L_{WA5, high} (dB(A))	58	67	74	81	82	80	80	77	87
L_{WA5, low} (dB(A))	50	59	67	72	74	73	74	72	80
L_{WA8, high} (dB(A))	39	65	65	75	74	70	64	52	79
L_{WA8, low} (dB(A))	37	58	63	67	64	62	54	41	71

L_{WA2}= housing sound power level in dB.

L_{WA5}= free inlet sound power level in dB.

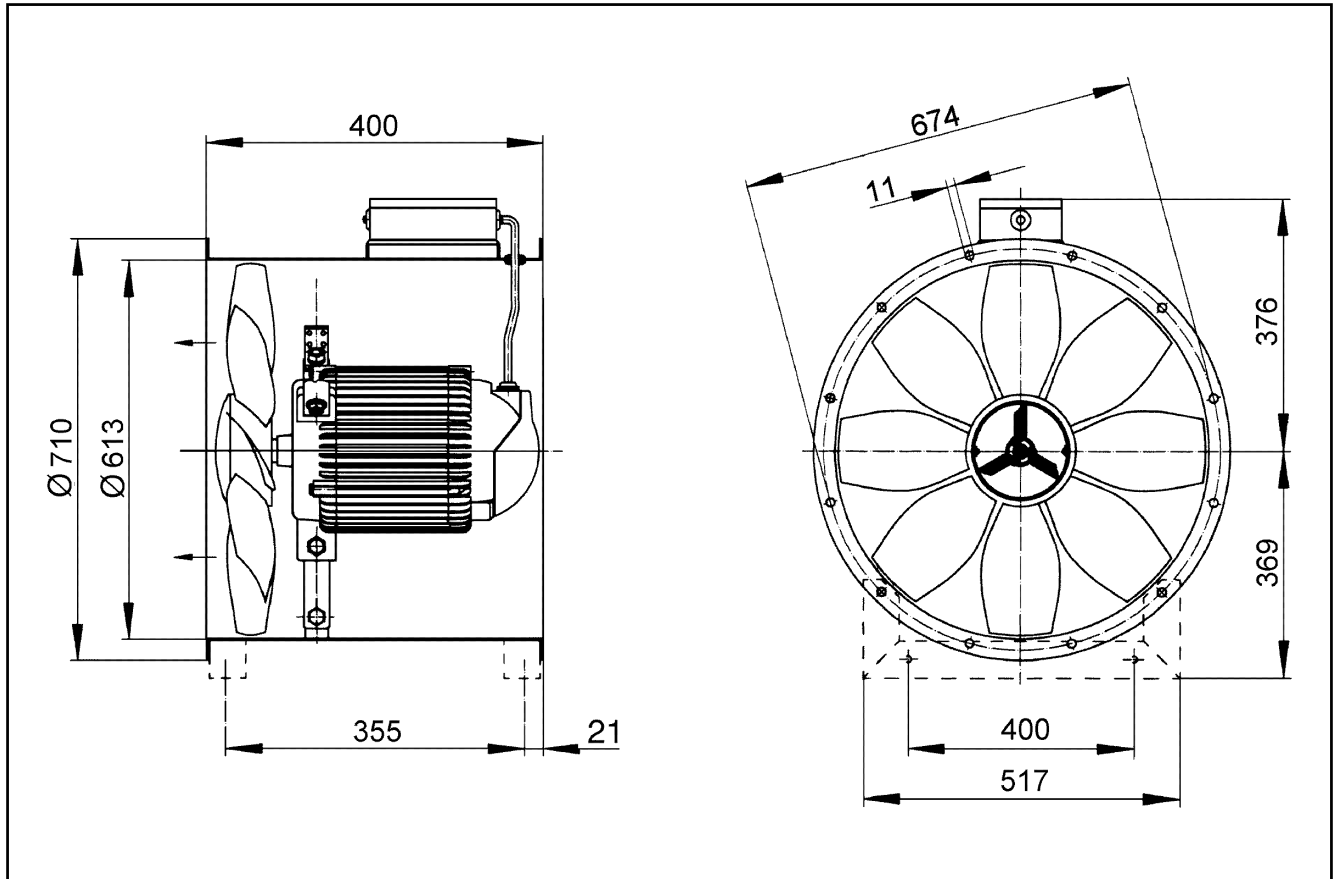
L_{WA8}= housing and free outlet sound power level in dB.

Characteristic curve



DZR 60/86 B

Dimensioned drawing [mm]



Number of flange holes: 16