

# ECA 100 KF



## Short description

With electrical internal shutter and light control

## Application examples

Bathroom, WC, Storage room, Larder, Cellar

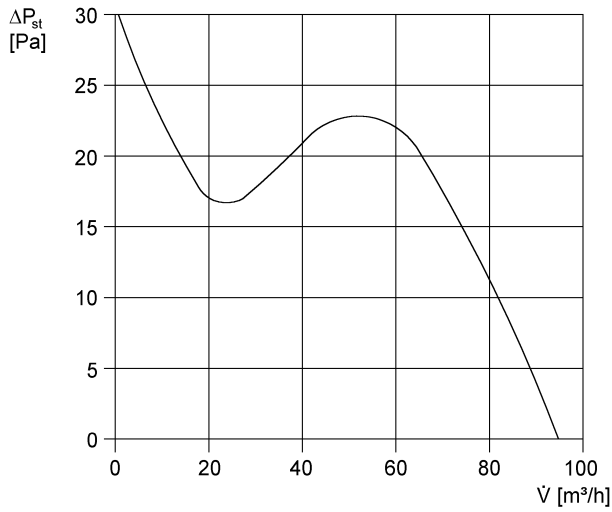
Article number 0084.0005

## Technical data

Model	Light control
Air flow volume	95 m <sup>3</sup> /h
Rotating speed	2.650 1/min
Speed controllable	–
Type of voltage	Alternating current
Rated voltage	230 V
Frequency	50 Hz/60 Hz
Power consumption	13 W
I <sub>max</sub>	0,1 A
Degree of protection	IP 34
Mains cable	3 x 1,5 mm <sup>2</sup>
Installation site	Wall
Type of installation	Surface-mounted
Installation position	any
Material	Synthetic material
Colour	Traffic white, similar to RAL 9016
Weight	0,655
Weight including packaging	0,74 kg
Type of shutter	electrical
Nominal size	100 mm
Width with packaging	155 mm
Height with packaging	125 mm
Depth with packaging	155 mm
Sound pressure level	31 dB(A) (Distance 3 m, Free-field conditions)
Packing unit	1 piece
Range	A
GTIN (EAN)	4012799840053

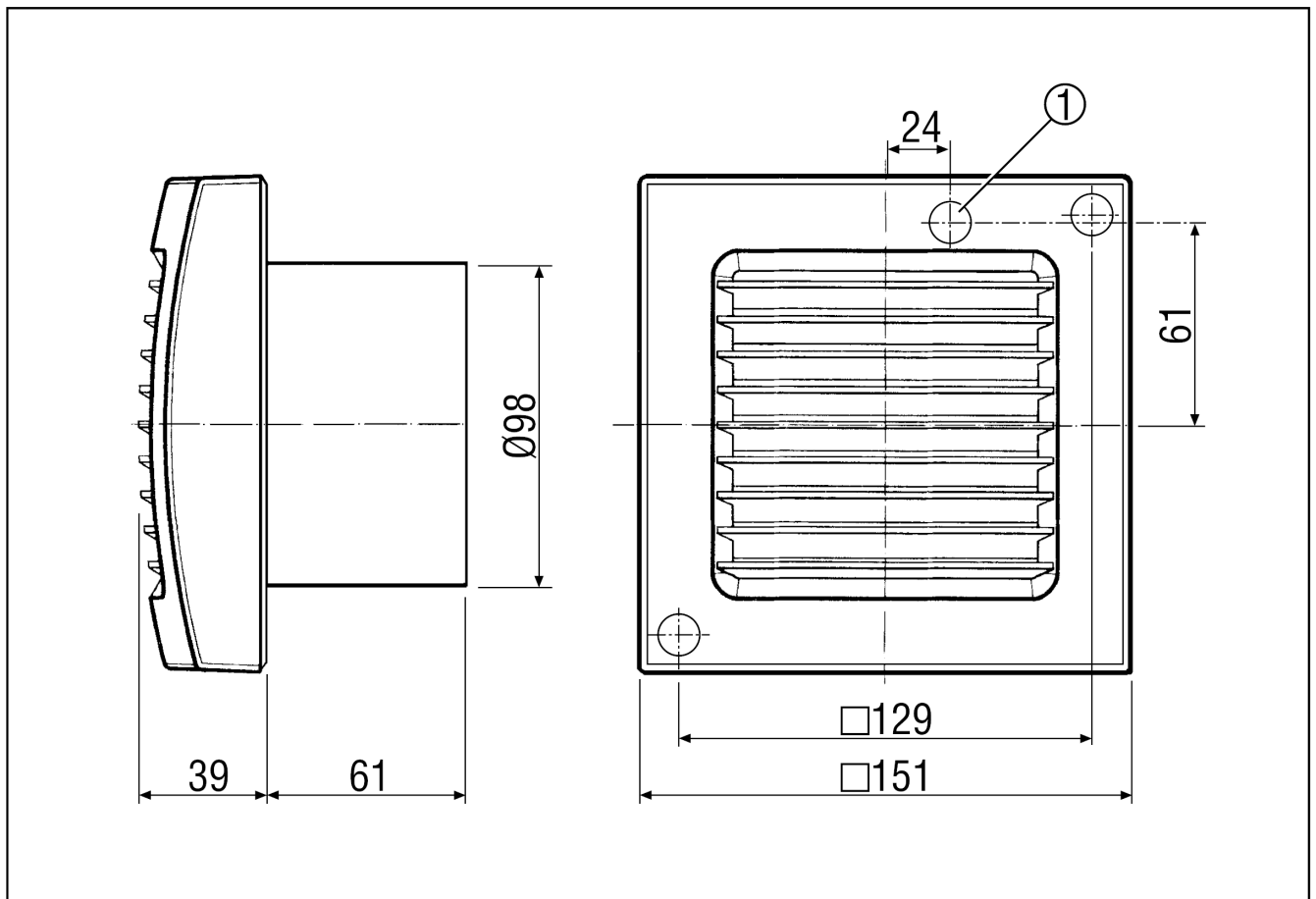
# ECA 100 KF

## Characteristic curve



V = 230 or 24 V  
 f = 50 Hz  
 n = 2650 min<sup>-1</sup>

## Dimensioned drawing [mm]



① Cable entry

# ECA 100 KF

