

ECA 100 KI



Short description

With electrical internal shutter and interval control

Application examples

Bathroom, WC, Storage room, Larder, Cellar

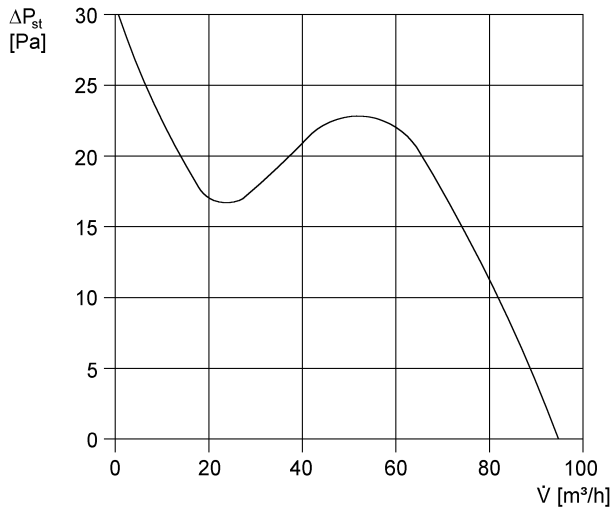
Article number 0084.0039

Technical data

Model	Interval control
Air flow volume	95 m ³ /h
Rotating speed	2.650 1/min
Speed controllable	–
Type of voltage	Alternating current
Rated voltage	230 V
Frequency	50 Hz/60 Hz
Power consumption	13 W
I _{max}	0,1 A
Degree of protection	IP 34
Mains cable	5 x 1,5 mm ²
Installation site	Wall
Type of installation	Surface-mounted
Installation position	any
Material	Synthetic material
Colour	Traffic white, similar to RAL 9016
Weight	0,66
Weight including packaging	0,75 kg
Type of shutter	electrical
Nominal size	100 mm
Width with packaging	153 mm
Height with packaging	120 mm
Depth with packaging	153 mm
Sound pressure level	31 dB(A) (Distance 3 m, Free-field conditions)
Packing unit	1 piece
Range	A
GTIN (EAN)	4012799840398

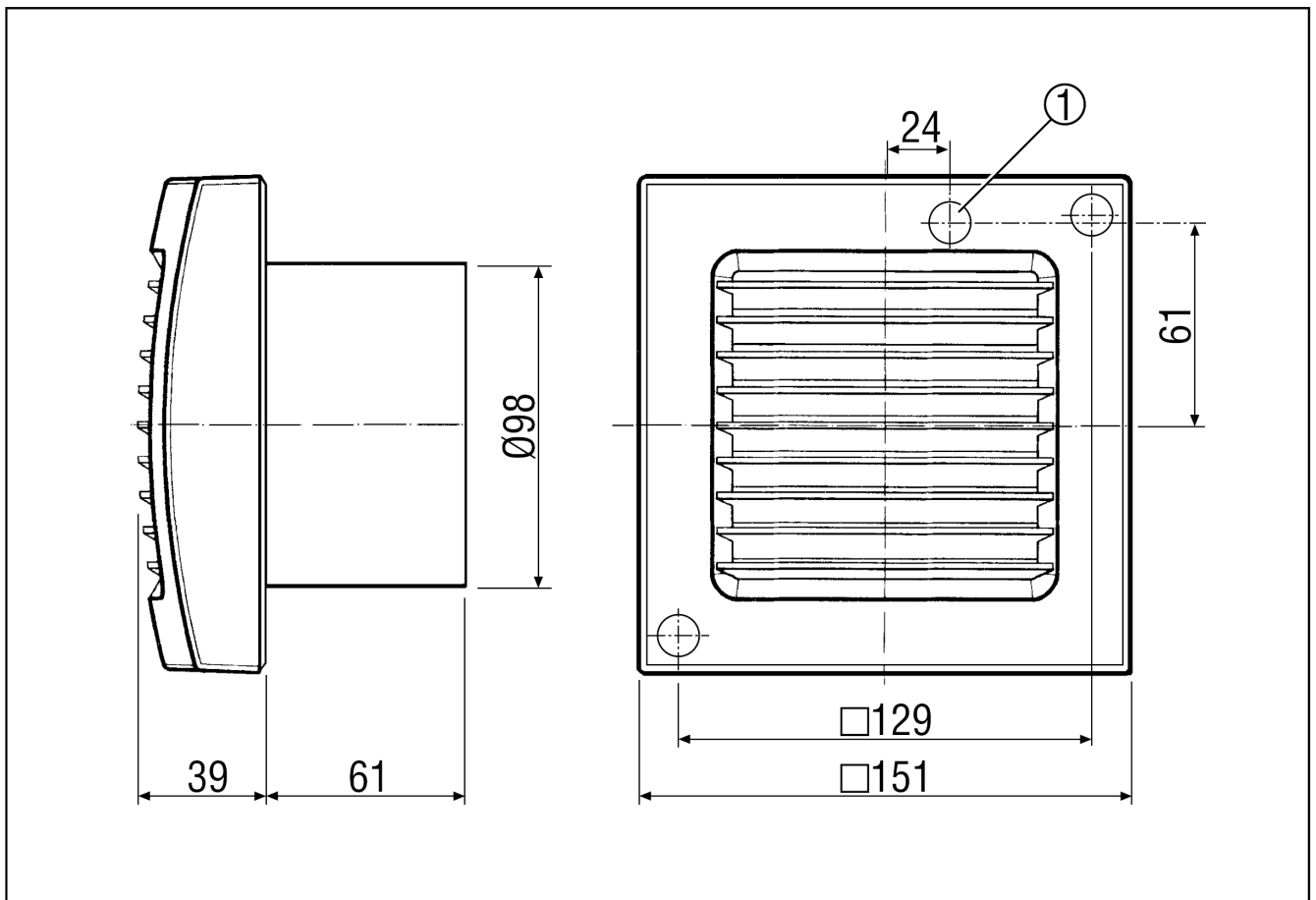
ECA 100 KI

Characteristic curve



V = 230 or 24 V
 f = 50 Hz
 n = 2650 min⁻¹

Dimensioned drawing [mm]



① Cable entry

ECA 100 KI

