

ECA 100 VZ



Short description

With fixed internal grille and time delay switch

Application examples

Bathroom, WC, Storage room, Larder, Cellar

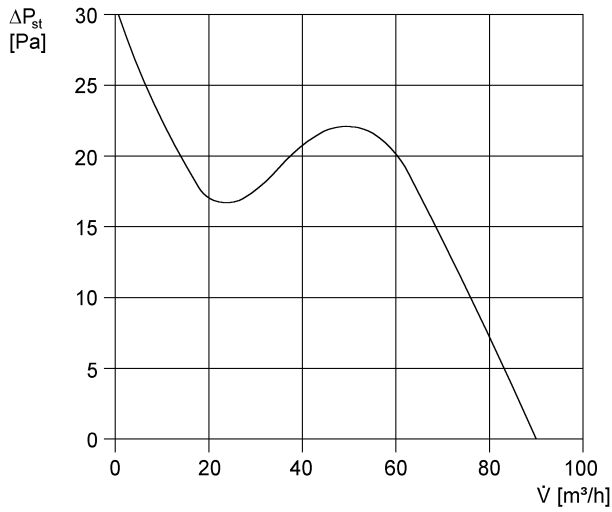
Article number 0084.0001

Technical data

Model	Time delay switch
Air flow volume	90 m ³ /h
Rotating speed	2.650 1/min
Speed controllable	–
Type of voltage	Alternating current
Rated voltage	230 V
Frequency	50 Hz/60 Hz
Power consumption	13 W
I _{max}	0,1 A
Degree of protection	IP 45
Mains cable	5 x 1,5 mm ²
Installation site	Wall
Type of installation	Surface-mounted
Installation position	any
Material	Synthetic material
Colour	Traffic white, similar to RAL 9016
Weight	0,763
Weight including packaging	0,74 kg
Nominal size	100 mm
Width with packaging	155 mm
Height with packaging	120 mm
Depth with packaging	155 mm
Sound pressure level	33 dB(A) (Distance 3 m, Free-field conditions)
Packing unit	1 piece
Range	A
GTIN (EAN)	4012799840015

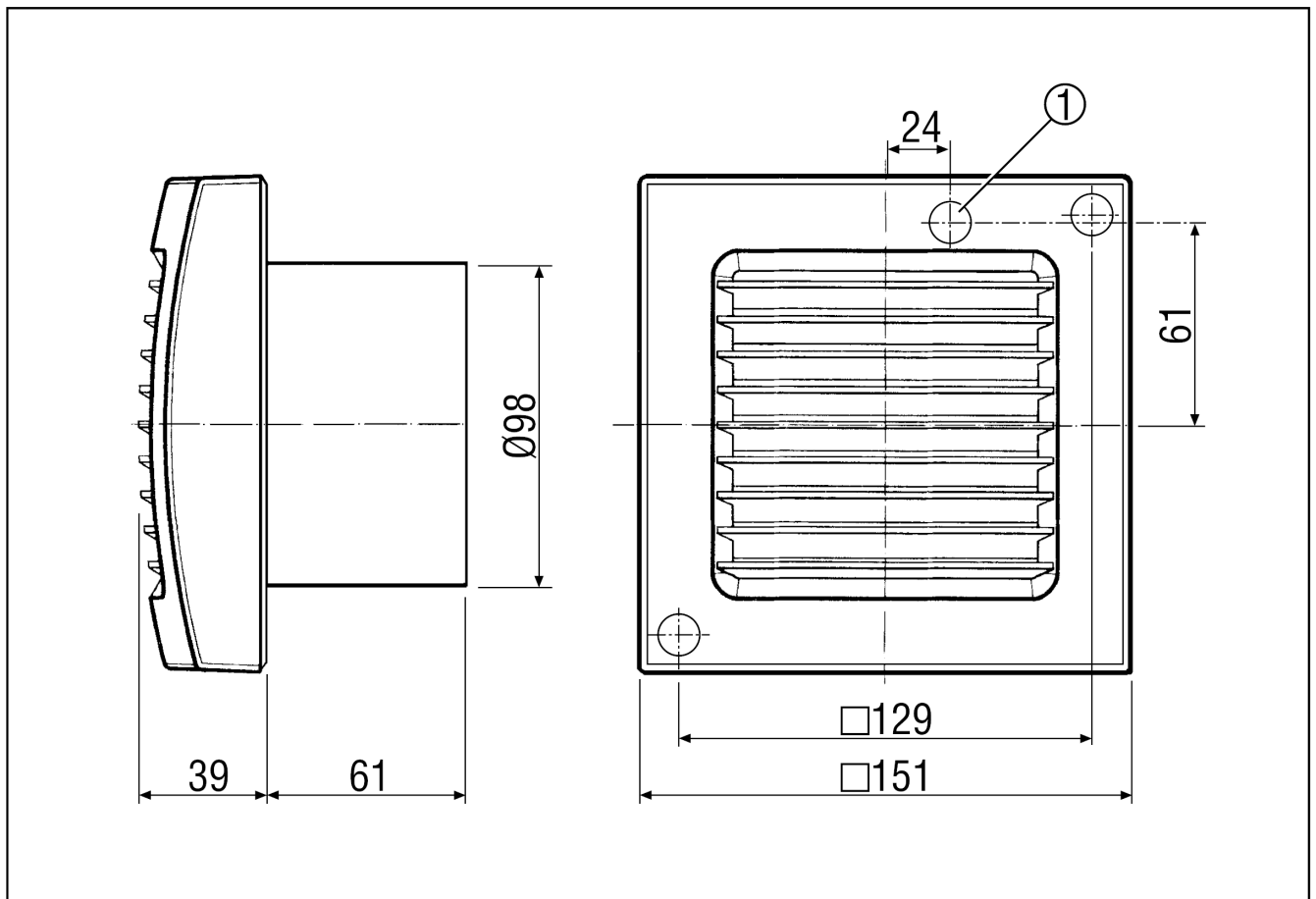
ECA 100 VZ

Characteristic curve



V = 230 or 24 V
 f = 50 Hz
 n = 2650 min⁻¹

Dimensioned drawing [mm]



① Cable entry

ECA 100 VZ

