

ECA 100 ipro



Short description

Two-step small room fan, DN 100, standard model

Application examples

Bathroom, WC, Storage room, Larder, Cellar

Article number 0084.0200

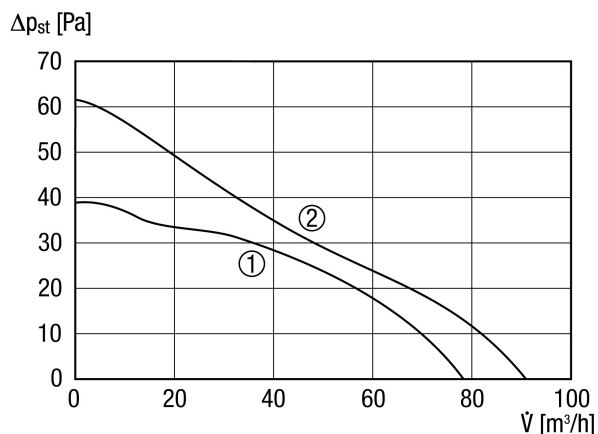
Technical data

Model	Standard model
Air flow volume	78 m ³ /h / 92 m ³ /h
Rotating speed	2.100 1/min / 2.500 1/min
Speed controllable	✓
Reversing capacity	–
SEC average	-10,69 kWh/(m ² *a)
Type of voltage	Alternating current
Rated voltage	230 V
Frequency	50 Hz
Nominal output	6 W / 8 W
I _{max}	0,06 A
Degree of protection	IP X5
Mains cable	3/5 x 1.5 mm ²
Installation site	Ceiling / Wall
Type of installation	Surface-mounted
Installation position	any
Material	Synthetic material
Colour	Traffic white, similar to RAL 9016
Weight	0,7 kg
Weight including packaging	0,85 kg
Shutter	none
Nominal size	100 mm
Width	159 mm
Height	159 mm
Depth	130 mm
Width with packaging	165 mm
Height with packaging	165 mm
Depth with packaging	145 mm
Airstream temperature at I _{Max}	40 °C

ECA 100 ipro

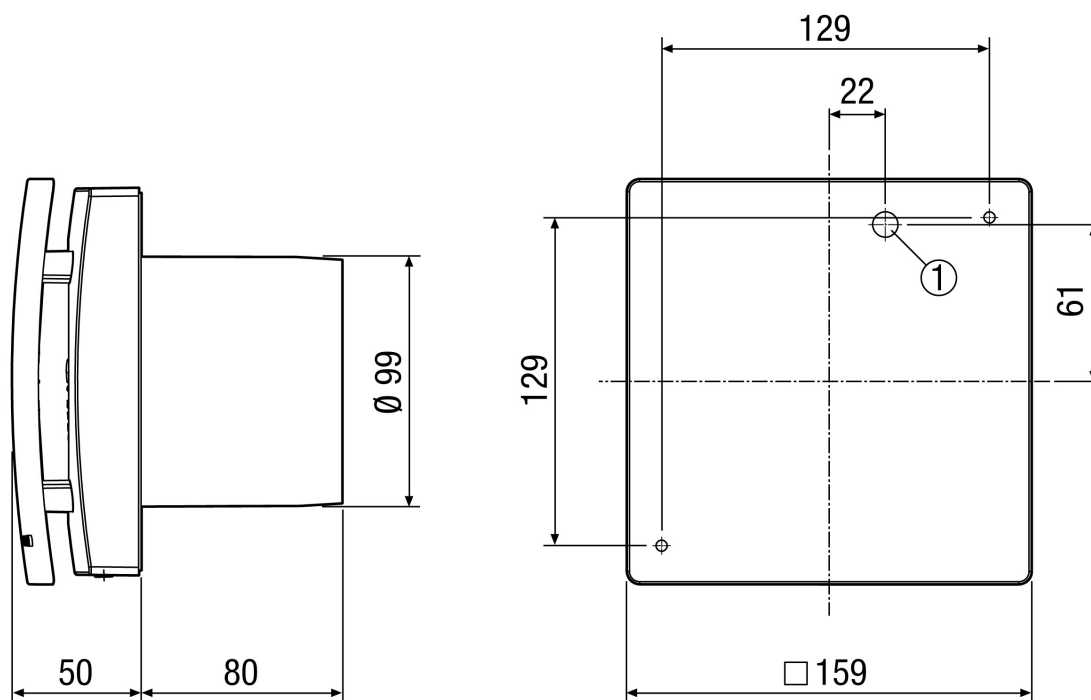
Sound pressure level	27 dB(A) / 32 dB(A) (Distance 3 m, Free-field conditions)
Packing unit	1 piece
Range	A
GTIN (EAN)	4012799842002

Characteristic curve



- ① Performance level 1
- ② Performance level 2

Dimensioned drawing [mm]





ECA 100 ipro

① Cable entry