

ECA 120 KF



Short description

With electrical internal shutter and light control

Application examples

Bathroom, WC, Storage room, Larder, Cellar

Article number 0084.0011

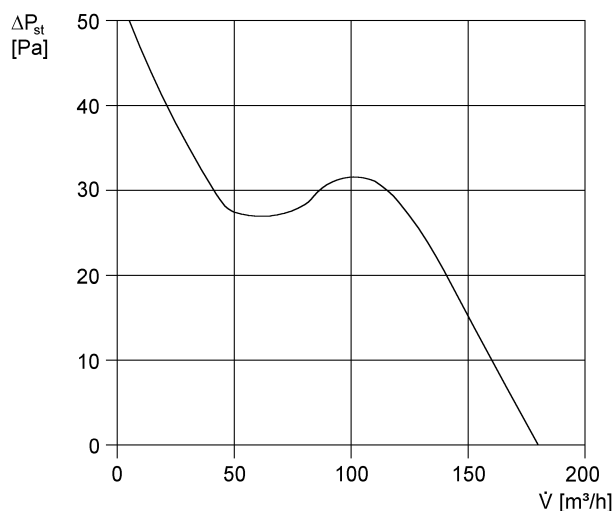
Technical data

| | |
|---|------------------------------------|
| Model | Light control |
| Air flow volume | 180 m ³ /h |
| Rotating speed | 2.600 1/min |
| Speed controllable | – |
| Reversing capacity | – |
| Type of voltage | Alternating current |
| Rated voltage | 230 V |
| Frequency | 50 Hz/60 Hz |
| Power consumption | 19 W |
| I _{max} | 0,14 A |
| Degree of protection | IP 34 |
| Mains cable | 3 x 1,5 mm ² |
| Installation site | Wall |
| Type of installation | Surface-mounted |
| Installation position | any |
| Material | Synthetic material |
| Colour | Traffic white, similar to RAL 9016 |
| Weight | 0,9 kg |
| Weight including packaging | 1,06 kg |
| Type of shutter | electrical |
| Nominal size | 120 mm |
| Width | 171 mm |
| Height | 171 mm |
| Depth | 114 mm |
| Width with packaging | 180 mm |
| Height with packaging | 180 mm |
| Depth with packaging | 140 mm |
| Airstream temperature at I _{Max} | 40 °C |
| Overrun time | 6 min |

ECA 120 KF

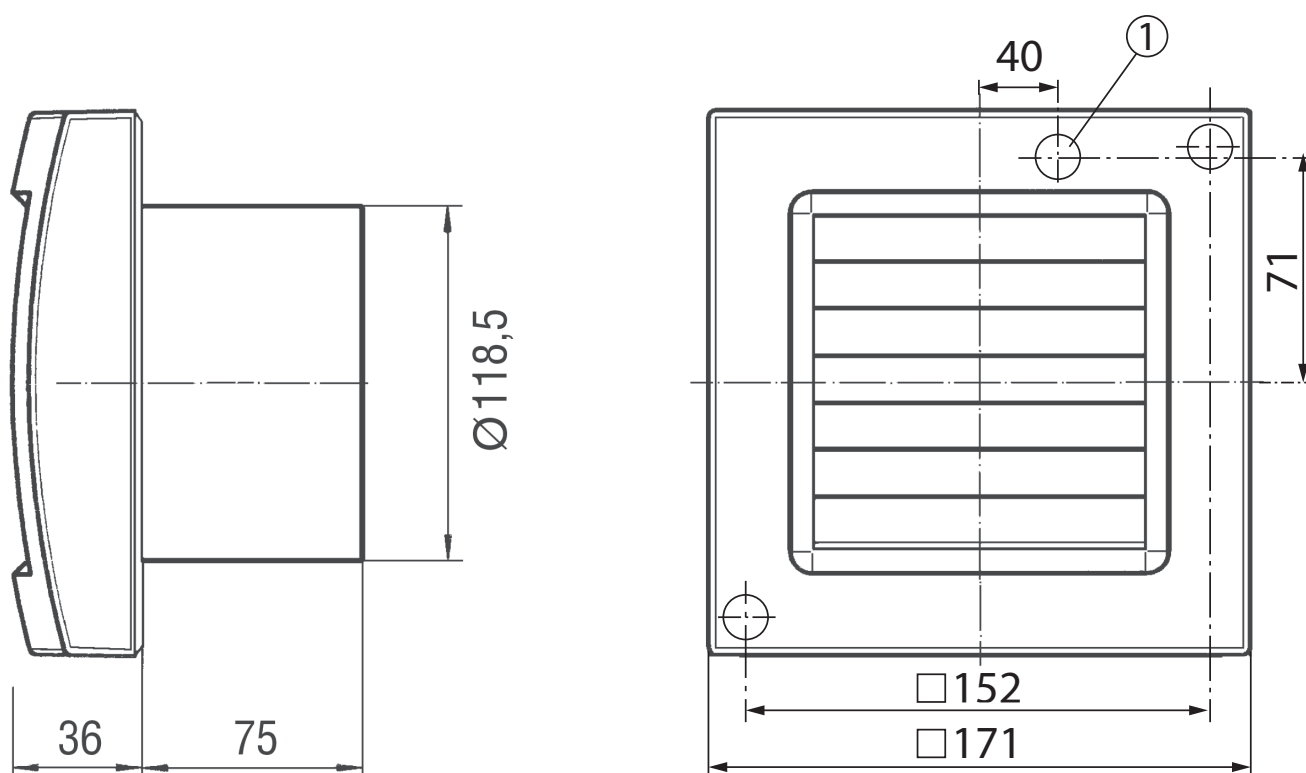
| | |
|----------------------|--|
| Start delay | 50 s |
| Sound pressure level | 36 dB(A) (Distance 3 m, Free-field conditions) |
| Packing unit | 1 piece |
| Range | A |
| GTIN (EAN) | 4012799840114 |

Characteristic curve



V = 230 or 24 V
 f = 50 Hz
 n = 2600 min⁻¹

Dimensioned drawing [mm]





ECA 120 KF

① Cable entry