

ECA 120 KP



Short description

With electrical internal shutter and pull-cord switch

Application examples

Bathroom, WC, Storage room, Larder, Cellar

Article number 0084.0035

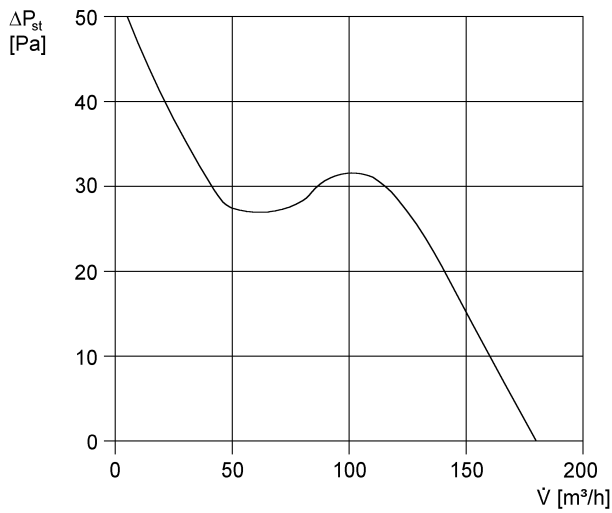
Technical data

Model	Pull-cord switch
Air flow volume	180 m ³ /h
Rotating speed	2.600 1/min
Speed controllable	–
Reversing capacity	–
Type of voltage	Alternating current
Rated voltage	230 V
Frequency	50 Hz/60 Hz
Power consumption	19 W
I _{max}	0,14 A
Degree of protection	IP 23
Mains cable	3 x 1,5 mm ²
Installation site	Wall
Type of installation	Surface-mounted
Installation position	any
Material	Synthetic material
Colour	Traffic white, similar to RAL 9016
Weight	0,9 kg
Weight including packaging	1,06 kg
Type of shutter	electrical
Nominal size	120 mm
Width	171 mm
Height	171 mm
Depth	114 mm
Width with packaging	180 mm
Height with packaging	180 mm
Depth with packaging	140 mm
Airstream temperature at I _{Max}	40 °C
Sound pressure level	36 dB(A) (Distance 3 m, Free-field conditions)

ECA 120 KP

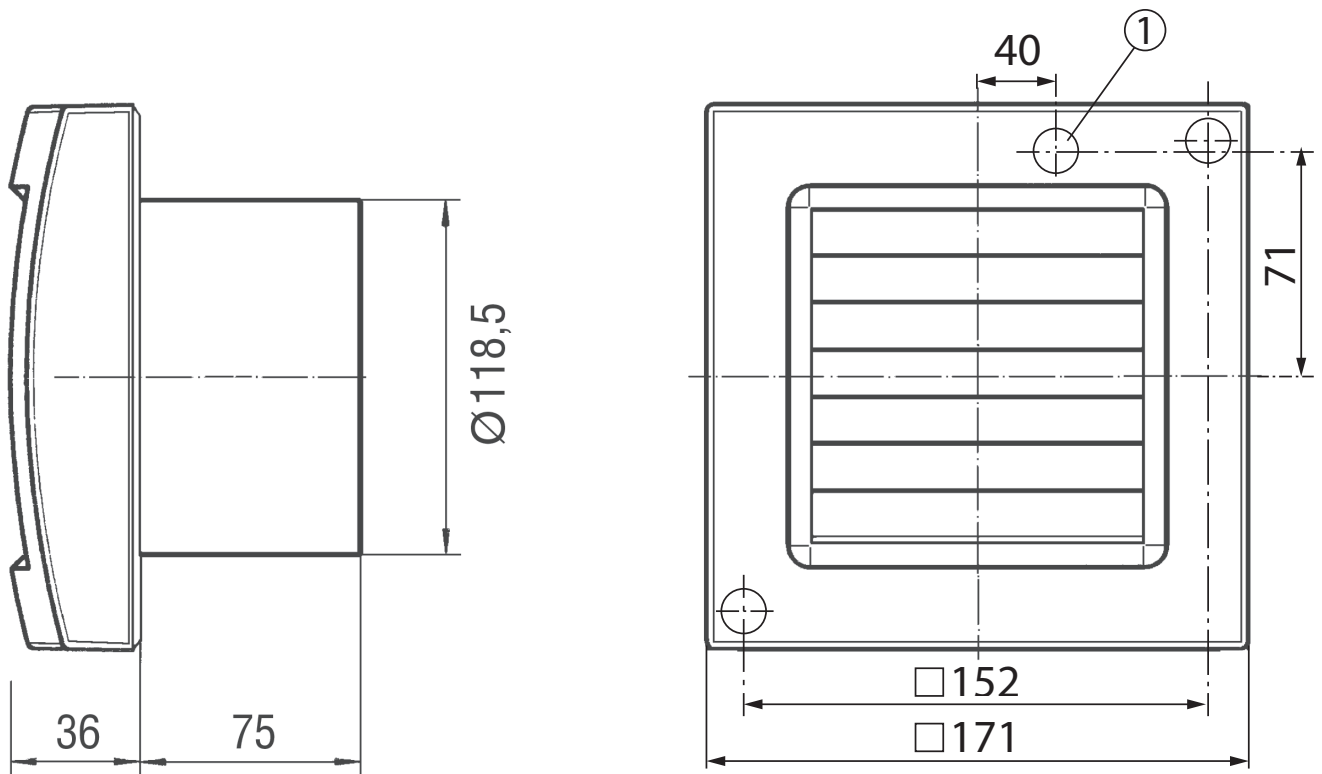
Packing unit	1 piece
Range	A
GTIN (EAN)	4012799840350

Characteristic curve



V = 230 or 24 V
 f = 50 Hz
 n = 2600 min⁻¹

Dimensioned drawing [mm]



① Cable entry

ECA 120 KP

