

ECA 150/4



Short description

With fixed internal grille and low-noise motor

Application examples

Bathroom, WC, Storage room, Larder, Cellar

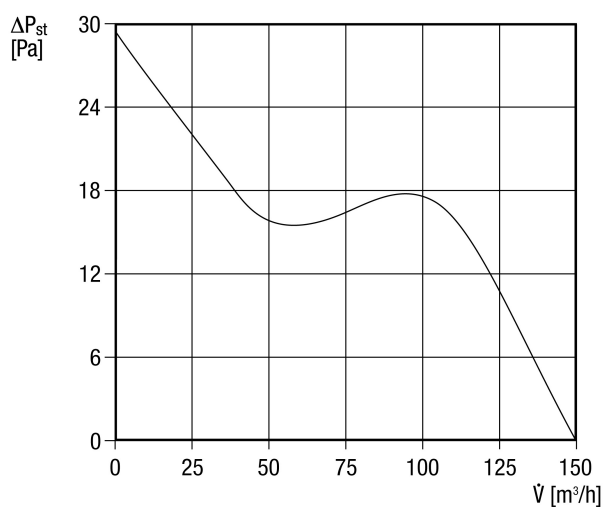
Article number 0084.0036

Technical data

Model	Standard model
Air flow volume	150 m ³ /h
Rotating speed	1.425 1/min
Speed controllable	–
Reversing capacity	–
Type of voltage	Alternating current
Rated voltage	230 V
Frequency	50 Hz/60 Hz
Power consumption	12 W
I _{max}	0,06 A
Degree of protection	IP 45
Mains cable	3 x 1,5 mm ²
Installation site	Wall
Type of installation	Surface-mounted
Installation position	any
Material	Synthetic material
Colour	Traffic white, similar to RAL 9016
Weight	1,3 kg
Weight including packaging	1,55 kg
Nominal size	150 mm
Width with packaging	210 mm
Height with packaging	150 mm
Depth with packaging	210 mm
Sound pressure level	29 dB(A) (Distance 3 m, Free-field conditions)
Packing unit	1 piece
Range	A
GTIN (EAN)	4012799840367

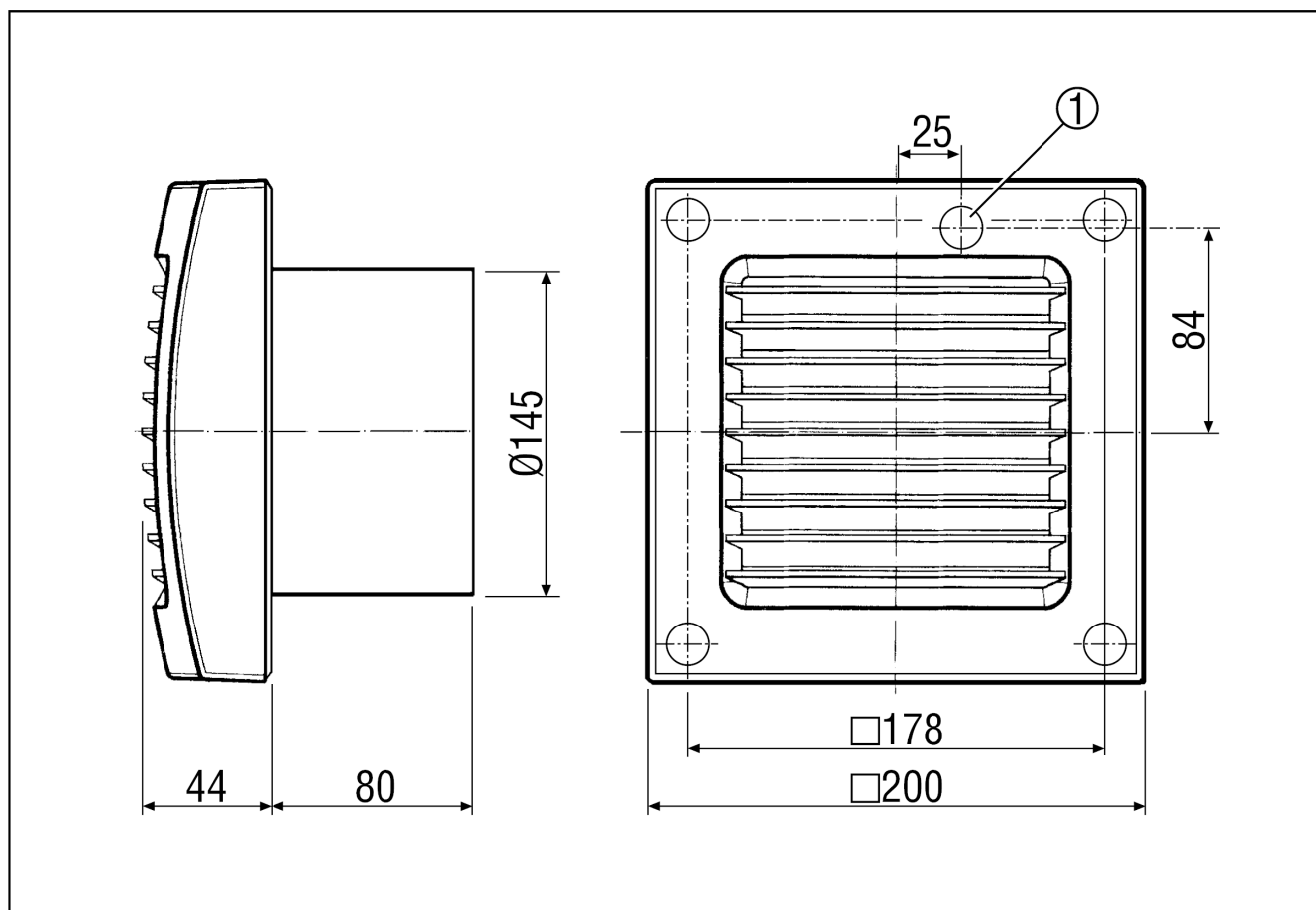
ECA 150/4

Characteristic curve



U = 230 V
f = 50/60Hz

Dimensioned drawing [mm]



① Cable entry

ECA 150/4

