

# ECA 150 K



## Short description

With electrical internal shutter

## Application examples

Bathroom, WC, Storage room, Larder, Cellar

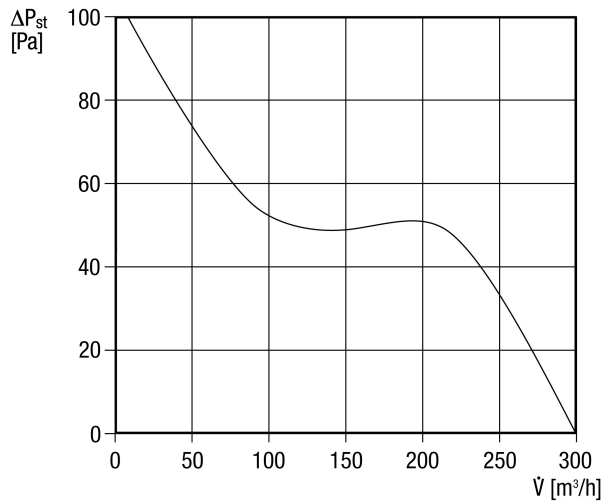
Article number 0084.0015

## Technical data

Model	Standard model
Air flow volume	300 m <sup>3</sup> /h
Rotating speed	2.700 1/min
Speed controllable	✓
Reversing capacity	–
Type of voltage	Alternating current
Rated voltage	230 V
Frequency	50 Hz/60 Hz
Power consumption	25 W
I <sub>max</sub>	0,12 A
Degree of protection	IP 34
Mains cable	3 x 1,5 mm <sup>2</sup>
Installation site	Wall
Type of installation	Surface-mounted
Installation position	any
Material	Synthetic material
Colour	Traffic white, similar to RAL 9016
Weight	1,3
Weight including packaging	1,515 kg
Nominal size	150 mm
Width with packaging	210 mm
Height with packaging	150 mm
Depth with packaging	210 mm
Sound pressure level	46 dB(A) (Distance 3 m, Free-field conditions)
Packing unit	1 piece
Range	A
GTIN (EAN)	4012799840152

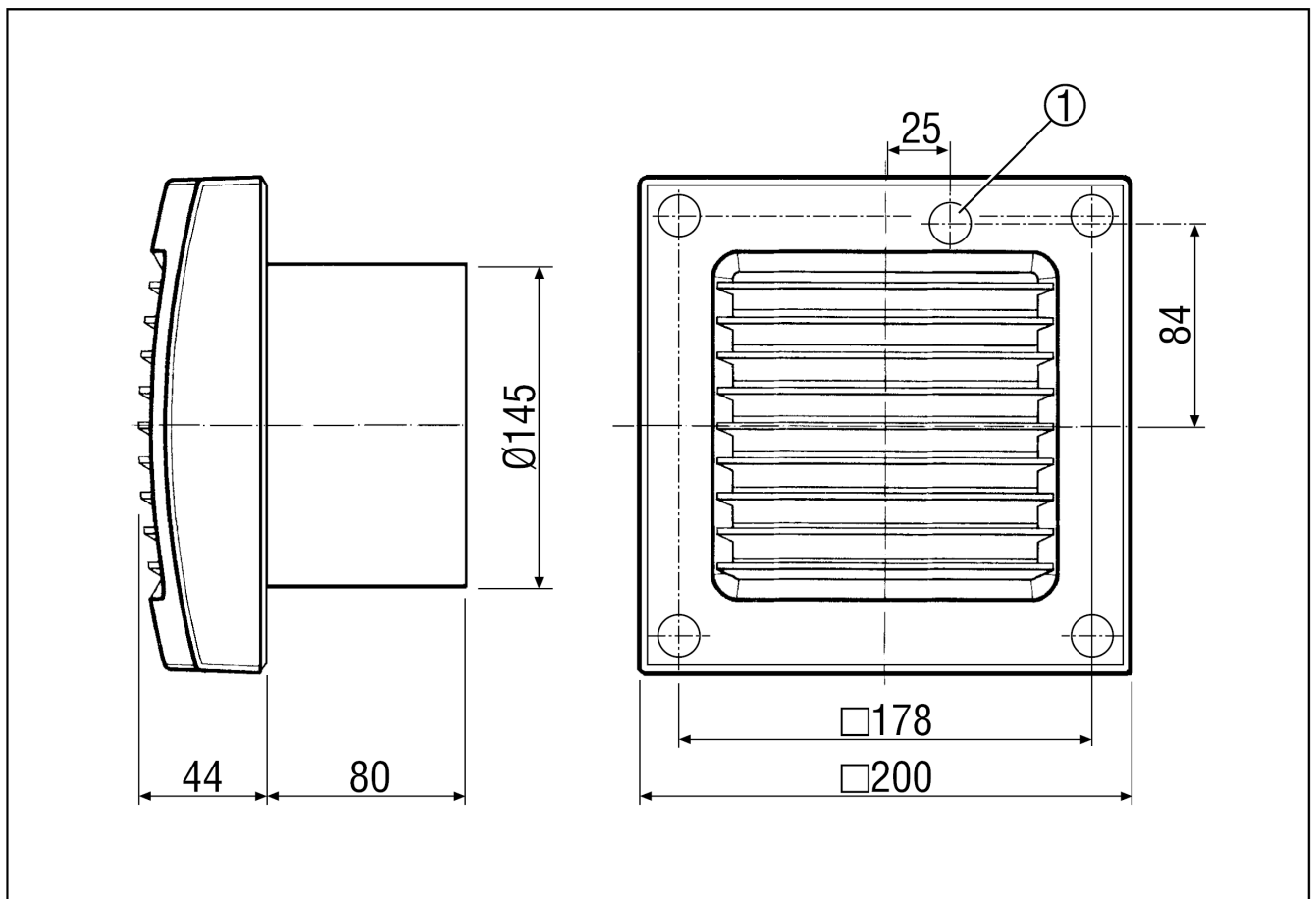
# ECA 150 K

## Characteristic curve



U = 230 V  
f = 50/60Hz

## Dimensioned drawing [mm]



① Cable entry

ECA 150 K

