

ECA 150 P



Short description

With fixed internal grille and pull cord switch

Application examples

Bathroom, WC, Storage room, Larder, Cellar

Article number 0084.0066

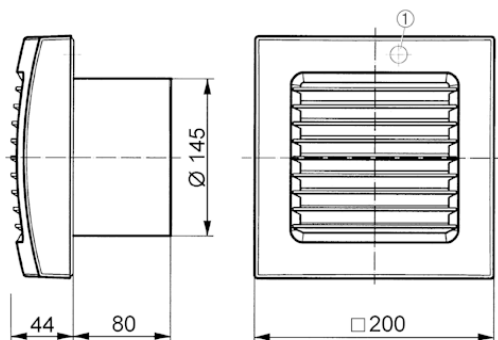
Technical data

Model	Pull-cord switch
Air flow volume	300 m ³ /h
Rotating speed	2.700 1/min
Speed controllable	–
Reversing capacity	–
Type of voltage	Alternating current
Rated voltage	230 V
Frequency	50 Hz/60 Hz
Power consumption	25 W
I _{max}	0,12 A
Degree of protection	IP 23
Installation site	Wall / Ceiling
Type of installation	Surface-mounted
Installation position	vertical / horizontal
Material	Synthetic material
Colour	Traffic white, similar to RAL 9016
Weight	1,47
Nominal size	150 mm
Sound pressure level	56 dB(A)
Packing unit	1 piece
Range	A
GTIN (EAN)	4012799840664

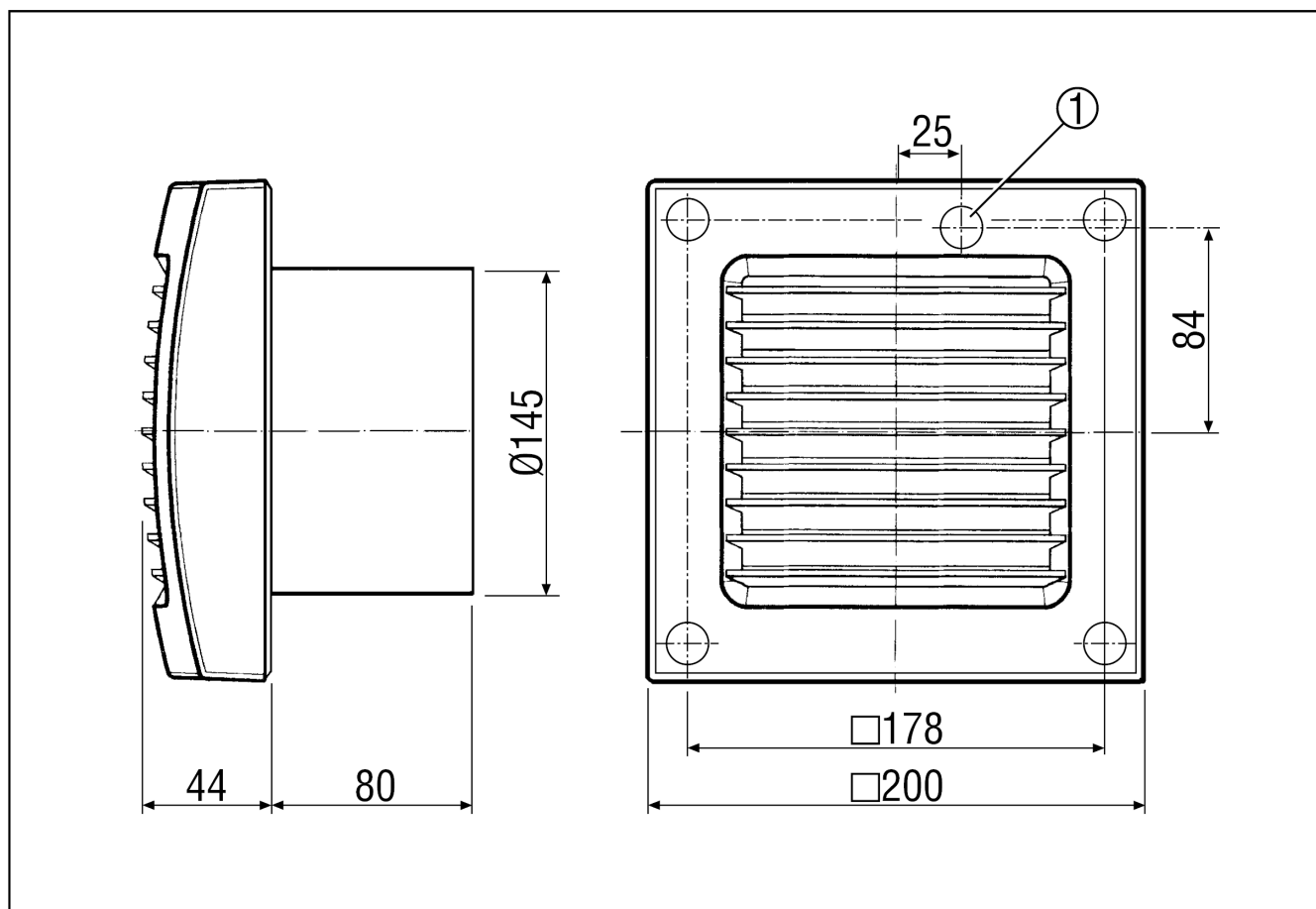
ECA 150 P

Dimensioned drawing [mm]

① Masszeichnung_ECA150P_Legende



Dimensioned drawing [mm]



① Masszeichnung_ECA150P_Legende