

# ECA 150 ipro B



## Short description

Two-level small room fan, DN 150 with motion detector

## Application examples

Kitchen, Utility room, Cellar, Hobby room, Sauna vestibule

Article number 0084.0090

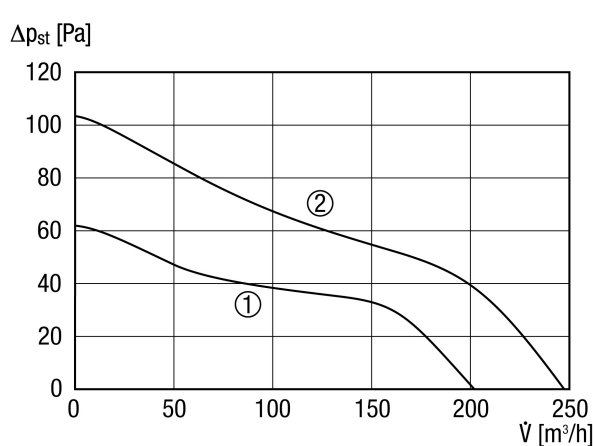
## Technical data

|   |   |
|---|---|
| Model                                     | Motion detector                               |
| Air flow volume                           | 200 m <sup>3</sup> /h / 250 m <sup>3</sup> /h |
| Rotating speed                            | 1.672 1/min / 2.189 1/min                     |
| Speed controllable                        | –   |
| Reversing capacity                        | –   |
| SEC average                               | -24,48 kWh/(m <sup>2</sup> *a)                |
| Type of voltage                           | Alternating current                           |
| Rated voltage                             | 230 V   |
| Frequency                                 | 50 Hz   |
| Nominal output                            | 15 W / 19 W                                   |
| I <sub>max</sub>                          | 0,09 A  |
| Degree of protection                      | IP X5   |
| Mains cable                               | 3/5 x 1.5 mm <sup>2</sup>                     |
| Installation site                         | Ceiling / Wall                                |
| Type of installation                      | Surface-mounted                               |
| Installation position                     | any   |
| Material                                  | Synthetic material                            |
| Colour                                    | Traffic white, similar to RAL 9016            |
| Weight                                    | 1,6 kg  |
| Weight including packaging                | 1,91 kg                                       |
| Shutter                                   | none  |
| Nominal size                              | 150 mm  |
| Width                                     | 228 mm  |
| Height                                    | 228 mm  |
| Depth                                     | 123,3 mm                                      |
| Width with packaging                      | 235 mm  |
| Height with packaging                     | 235 mm  |
| Depth with packaging                      | 200 mm  |
| Airstream temperature at I <sub>Max</sub> | 40 °C   |

# ECA 150 ipro B

|                      |   |
|----------------------|---|
| Overrun time         | 0 min / 8 min / 17 min / 25 min                           |
| Sound pressure level | 33 dB(A) / 40 dB(A) (Distance 3 m, Free-field conditions) |
| Packing unit         | 1 piece   |
| Range                | A   |
| GTIN (EAN)           | 4012799840909   |

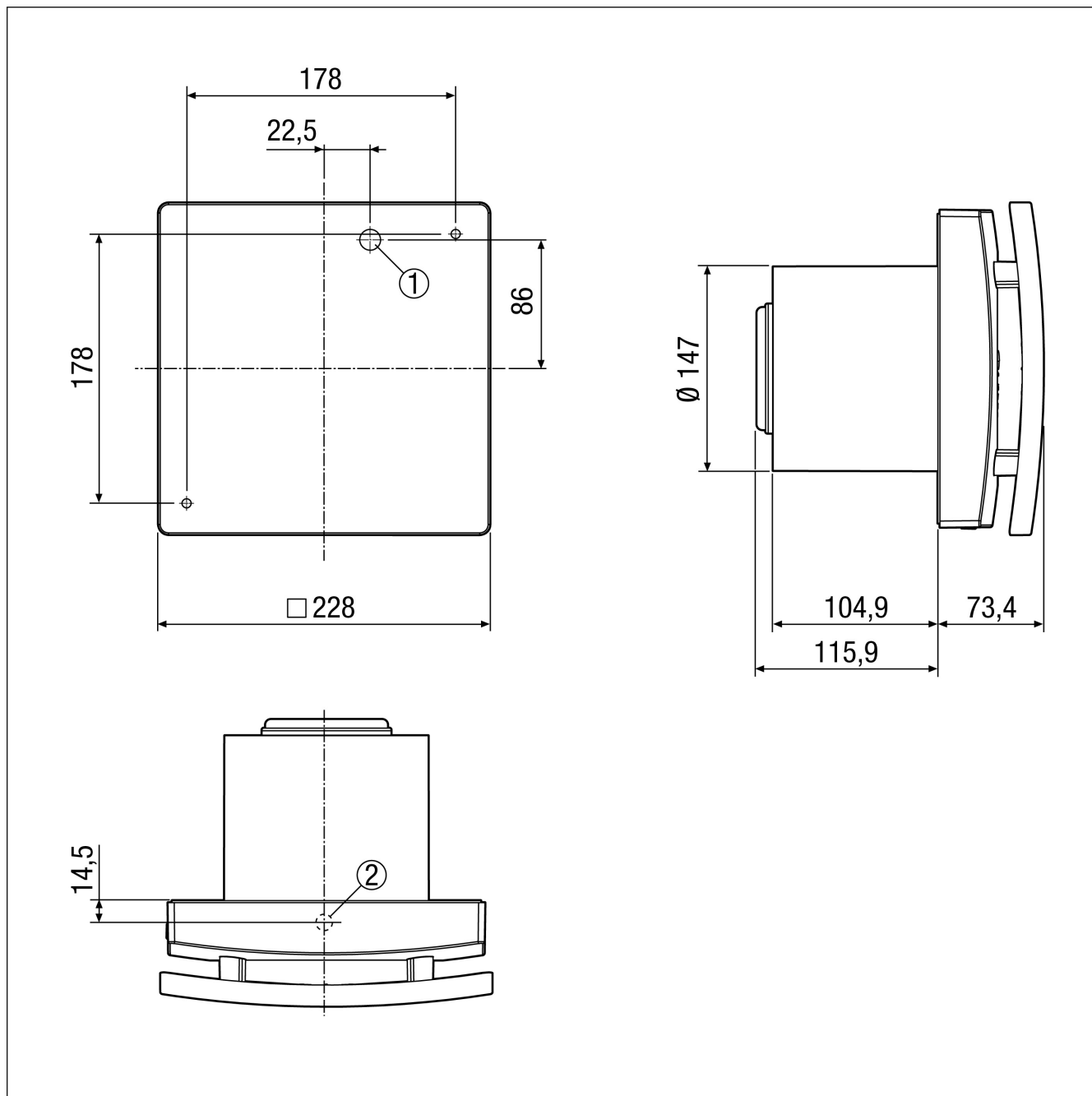
## Characteristic curve



- ① Performance level 1
- ② Performance level 2

# ECA 150 ipro B

Dimensioned drawing [mm]



- ① Cable entry for recessed-mounted connection
- ② Cable bushing for surface-mounted connection