

ECA 150 ipro H



Short description

Two-level small room fan, DN 150 with humidity control

Application examples

Kitchen, Utility room, Sauna vestibule, Toilet facilities, Day room

Article number 0084.0089

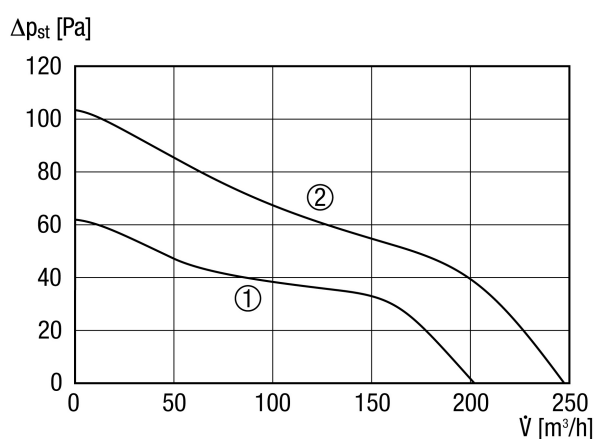
Technical data

Model	Humidity control
Air flow volume	200 m ³ /h / 250 m ³ /h
Rotating speed	1.672 1/min / 2.189 1/min
Speed controllable	–
Reversing capacity	–
SEC average	-24,48 kWh/(m ² *a)
Type of voltage	Alternating current
Rated voltage	230 V
Frequency	50 Hz
Nominal output	15 W / 19 W
I _{max}	0,09 A
Degree of protection	IP X5
Mains cable	3/5 x 1.5 mm ²
Installation site	Ceiling / Wall
Type of installation	Surface-mounted
Installation position	any
Material	Synthetic material
Colour	Traffic white, similar to RAL 9016
Weight	1,6 kg
Weight including packaging	1,91 kg
Shutter	none
Nominal size	150 mm
Width	228 mm
Height	228 mm
Depth	123,3 mm
Width with packaging	235 mm
Height with packaging	235 mm
Depth with packaging	200 mm
Airstream temperature at I _{Max}	40 °C

ECA 150 ipro H

Overrun time	8 min / 17 min / 25 min (Overrun time of 0 min. available when using an optional switch (e.g. light switch))
Start delay	0 s / 50 s / 90 s / 120 s (Start delay available when using an optional switch (e.g. light switch))
Sound pressure level	33 dB(A) / 40 dB(A) (Distance 3 m, Free-field conditions)
Packing unit	1 piece
Range	A
GTIN (EAN)	4012799840893

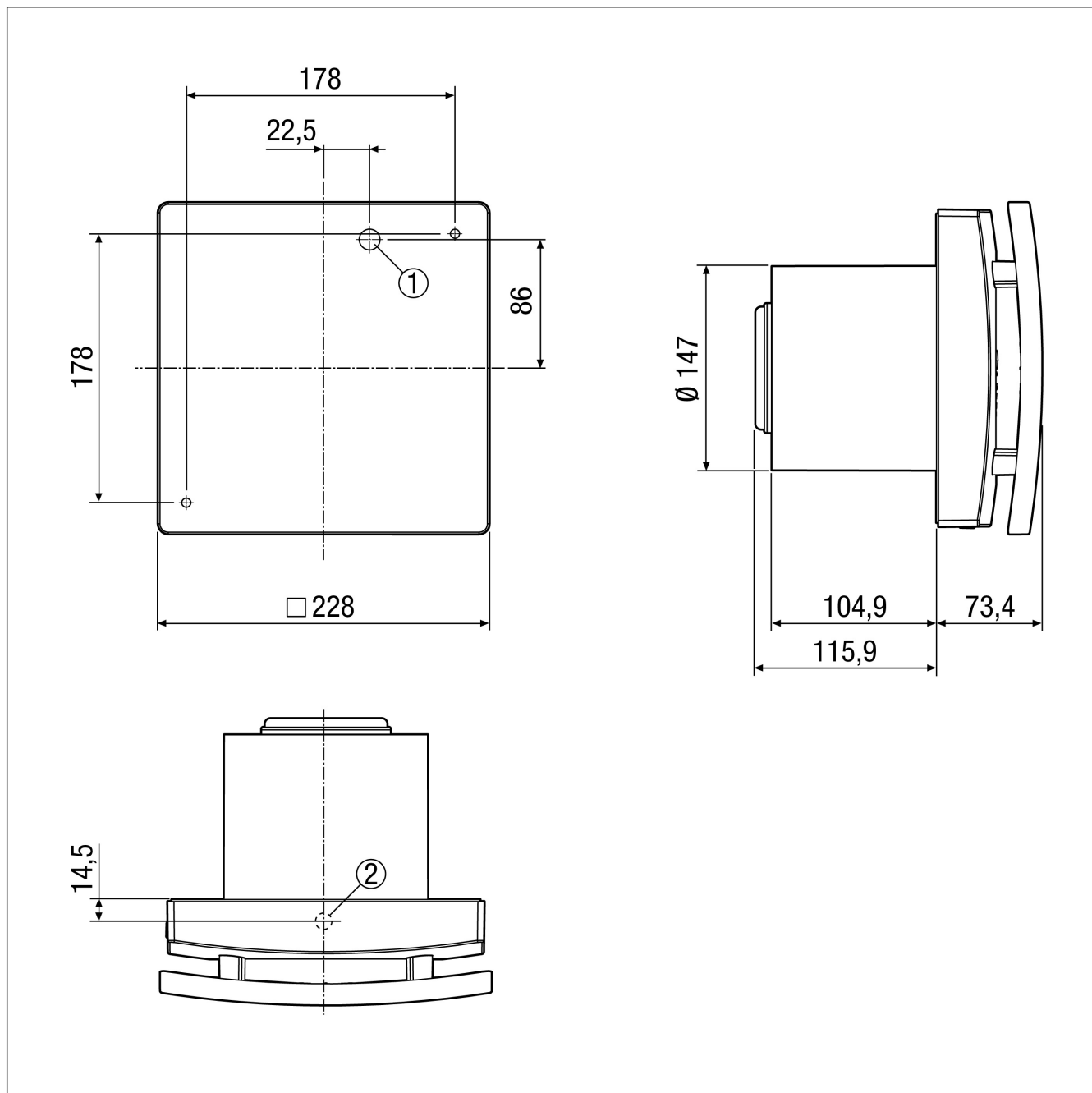
Characteristic curve



- ① Performance level 1
- ② Performance level 2

ECA 150 ipro H

Dimensioned drawing [mm]



- ① Cable entry for recessed-mounted connection
- ② Cable bushing for surface-mounted connection