

ECA 150 ipro KVZC



Short description

Two-level small room fan, DN 150, with electric internal shutter and adjustable start delay and overrun time

Application examples

Kitchen, Utility room, Cellar, Hobby room, Sauna vestibule

Article number 0084.0092

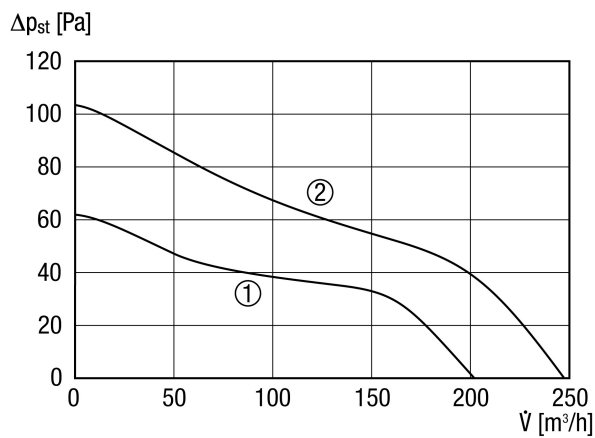
Technical data

Model	Adjustable start delay and overrun time
Air flow volume	200 m ³ /h / 250 m ³ /h
Rotating speed	1.672 1/min / 2.189 1/min
Speed controllable	–
Reversing capacity	–
SEC average	-10,31 kWh/(m ² *a)
Type of voltage	Alternating current
Rated voltage	230 V
Frequency	50 Hz
Nominal output	18 W / 22 W
I _{max}	0,11 A
Degree of protection	IP X5
Mains cable	5 x 1,5 mm ²
Installation site	Ceiling / Wall
Type of installation	Surface-mounted
Installation position	any
Material	Synthetic material
Colour	Traffic white, similar to RAL 9016
Weight	1,7 kg
Weight including packaging	1,97 kg
Shutter	integrated
Type of shutter	electrical
Nominal size	150 mm
Width	228 mm
Height	228 mm
Depth	123,3 mm
Width with packaging	235 mm
Height with packaging	235 mm
Depth with packaging	200 mm

ECA 150 ipro KVZC

Airstream temperature at I_{Max}	40 °C
Overrun time	0 min / 8 min / 17 min / 25 min
Start delay	0 s / 50 s / 90 s / 120 s
Sound pressure level	33 dB(A) / 40 dB(A) (Distance 3 m, Free-field conditions)
Packing unit	1 piece
Range	A
GTIN (EAN)	4012799840923

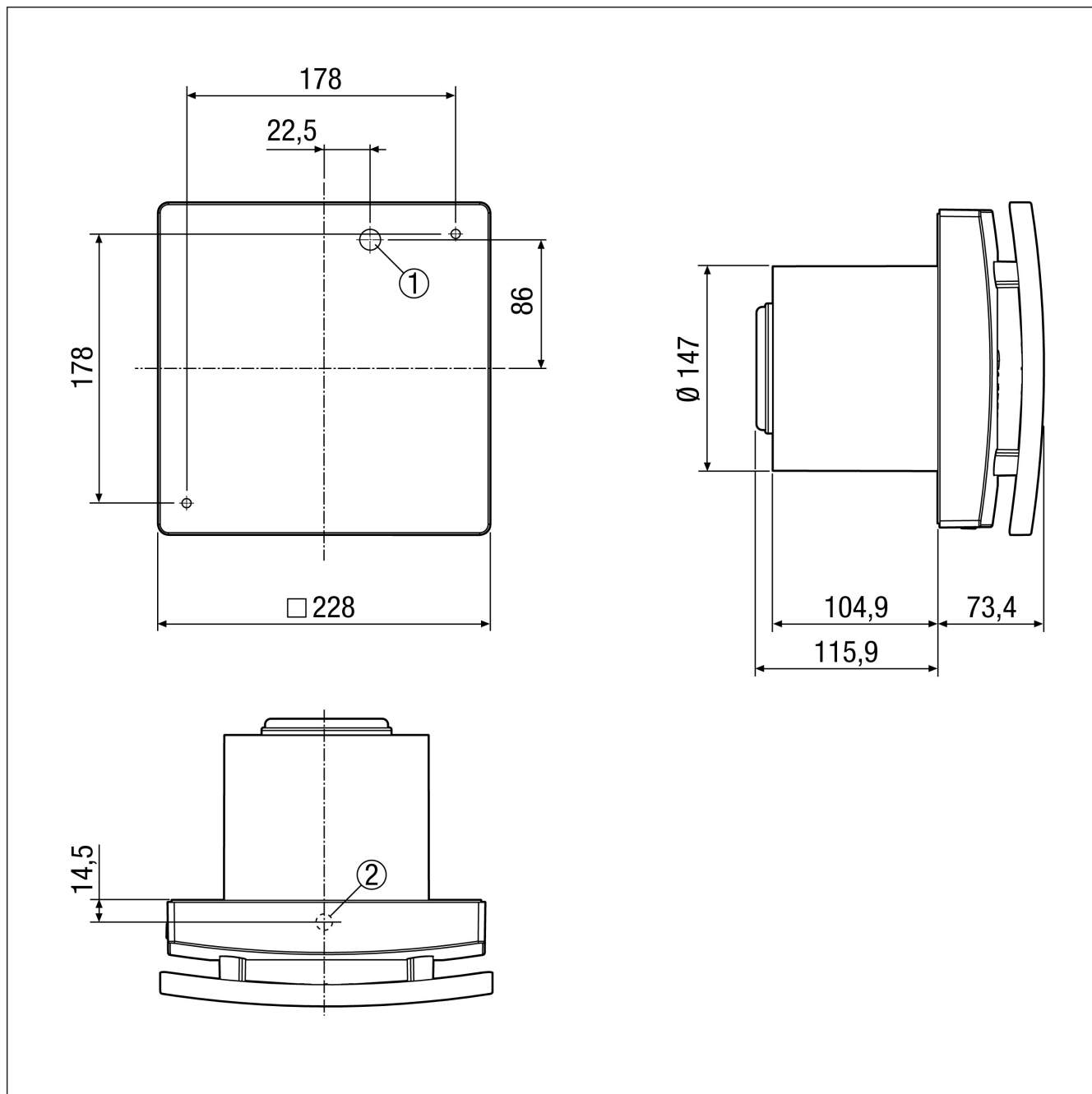
Characteristic curve



- ① Performance level 1
- ② Performance level 2

ECA 150 ipro KVZC

Dimensioned drawing [mm]



- ① Cable entry for recessed-mounted connection
- ② Cable bushing for surface-mounted connection