

ECA 150 ipro RCH



Short description

Two-level small room fan, DN 150, with radio receiver and humidity control, master-slave operation only possible in single-type system, i.e. only with ECA 150 ipro ...RC... units!

Application examples

Multiple family unit, Single-family house, Flat occupying the whole of one floor, Commercial premises, Office

Article number 0084.0088

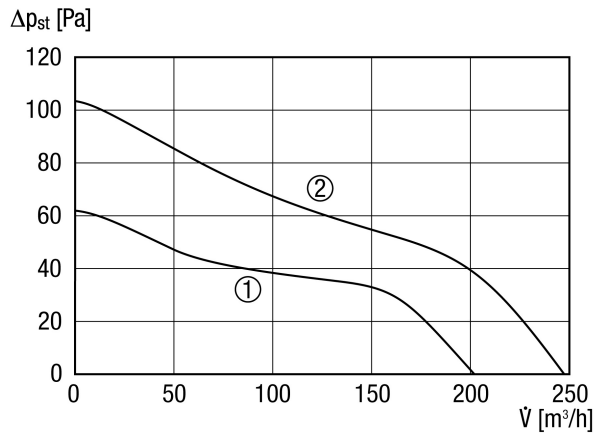
Technical data

Model	Radio receiver and humidity control
Air flow volume	200 m ³ /h / 250 m ³ /h
Rotating speed	1.672 1/min / 2.189 1/min
Speed controllable	–
Reversing capacity	–
SEC average	-24,57 kWh/(m ² *a)
Type of voltage	Alternating current
Rated voltage	230 V
Frequency	50 Hz
Nominal output	15 W / 19 W
I _{max}	0,09 A
Degree of protection	IP X5
Mains cable	3 x 1,5 mm ²
Installation site	Ceiling / Wall
Type of installation	Surface-mounted
Installation position	any
Material	Synthetic material
Colour	Traffic white, similar to RAL 9016
Weight	1,62 kg
Weight including packaging	1,9 kg
Shutter	none
Nominal size	150 mm
Width	228 mm
Height	228 mm
Depth	189,3 mm
Width with packaging	235 mm
Height with packaging	235 mm
Depth with packaging	200 mm
Airstream temperature at I _{Max}	40 °C

ECA 150 ipro RCH

Sound pressure level	33 dB(A) / 40 dB(A) (Distance 3 m, Free-field conditions)
Packing unit	1 piece
Range	A
GTIN (EAN)	4012799840886

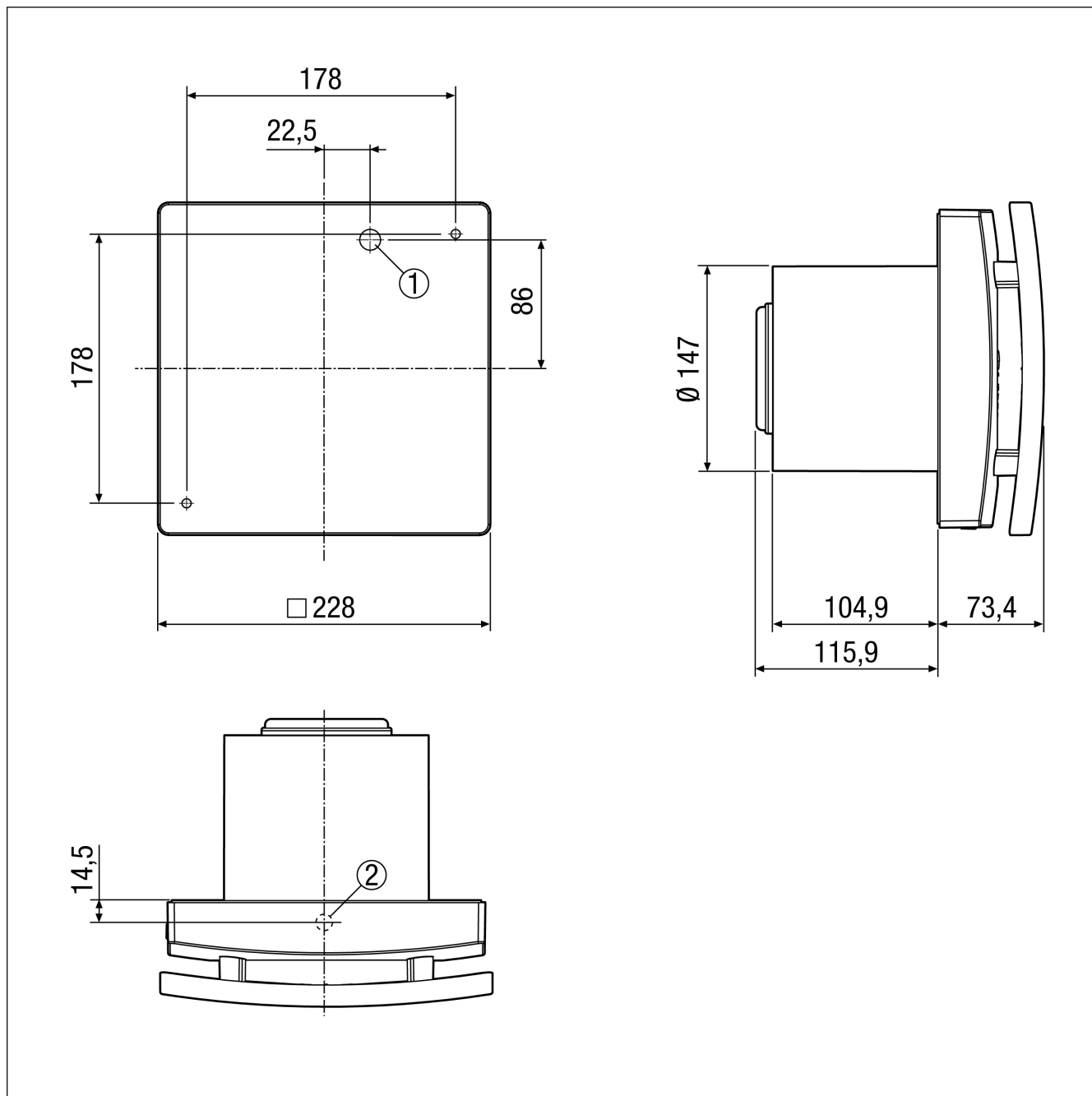
Characteristic curve



- ① Performance level 1
- ② Performance level 2

ECA 150 ipro RCH

Dimensioned drawing [mm]



- ① Cable entry for recessed-mounted connection
- ② Cable bushing for surface-mounted connection