

# ECA 15/2 E



## Short description

Duct-mounted fan for installation in folded spiral-seams ducts, DN 150, 320 m³/h

## Application examples

Bathroom, WC, Storage room, Larder, Cellar

Article number 0080.0990

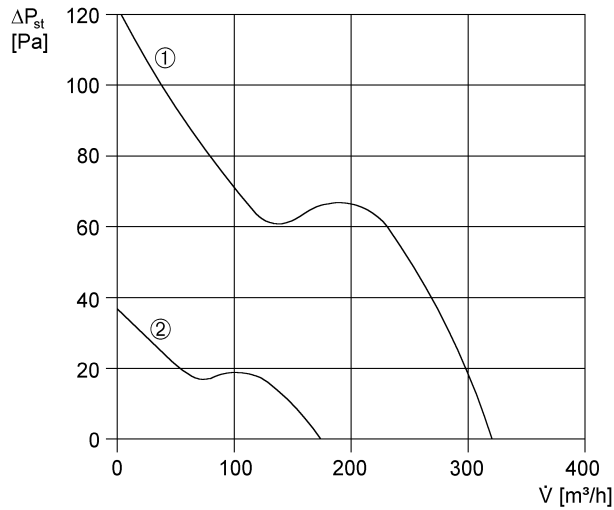
## Technical data

Air flow volume	320 m³/h
Rotating speed	2.700 1/min
Speed controllable	–
Reversing capacity	–
Type of voltage	Alternating current
Rated voltage	230 V
Frequency	50 Hz/60 Hz
Power consumption	38 W
I <sub>nom</sub>	0,25 A
I <sub>max</sub>	0,25 A
Degree of protection	IP 44
Mains cable	3 x 1,5 mm²
Type of installation	Recessed-mounted
Installation position	any
Material	Synthetic material
Colour	Traffic white, similar to RAL 9016
Weight	1,04 kg
Weight including packaging	1,18 kg
Nominal size	150 mm
Width	146 mm
Height	146 mm
Depth	120 mm
Width with packaging	155 mm
Height with packaging	155 mm
Depth with packaging	135 mm
Airstream temperature at I <sub>Max</sub>	40 °C
Sound pressure level	43 dB(A) (Distance 3 m, Free-field conditions)
Packing unit	1 piece
Range	A

# ECA 15/2 E

GTIN (EAN)	4012799809906
------------	---------------

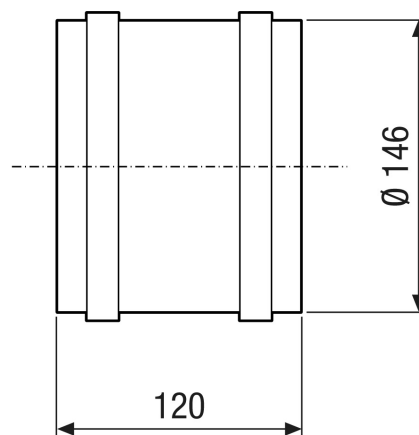
## Characteristic curve



U = 230 V  
f = 50 Hz

- ① ECA 15/2E: n = 2,600 rpm<sup>-1</sup>
- ② ECA 15/2E: n = 2,600 rpm<sup>-1</sup>

## Dimensioned drawing [mm]



# ECA 15/2 E

