

ECA piano H



Short description

Particularly quiet small room fan with humidity control and adjustable overrun

Application examples

Bathroom, WC, Storage room, Larder, Cellar

Article number 0084.0082

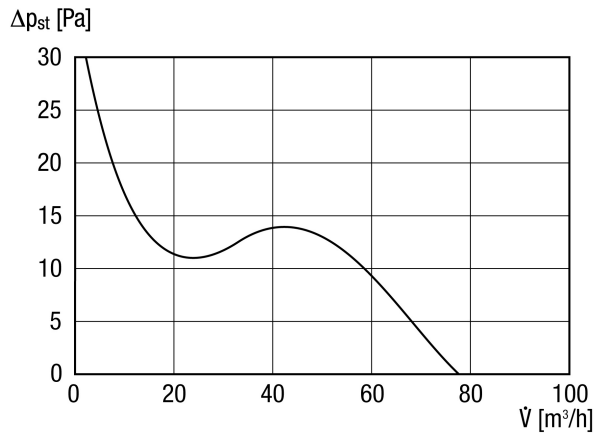
Technical data

Model	Humidity control with adjustable overrun
Air flow volume	80 m ³ /h
Rotating speed	2.400 1/min
Speed controllable	–
Reversing capacity	–
Type of voltage	Alternating current
Rated voltage	230 V
Frequency	50 Hz/60 Hz
Nominal output	8 W
I _{max}	0,06 A
Degree of protection	IP X4
Mains cable	3/5 x 1.5 mm ²
Installation site	Wall / Ceiling
Type of installation	Surface-mounted
Installation position	any
Material	Synthetic material
Colour	Traffic white, similar to RAL 9016
Weight	0,5 kg
Weight including packaging	0,63 kg
Nominal size	100 mm
Width	151 mm
Height	151 mm
Depth	104 mm
Width with packaging	160 mm
Height with packaging	160 mm
Depth with packaging	130 mm
Airstream temperature at I _{Max}	40 °C
Overrun time	0,5 min - 18 min (Overrun time available when using an optional switch (e.g. light switch))

ECA piano H

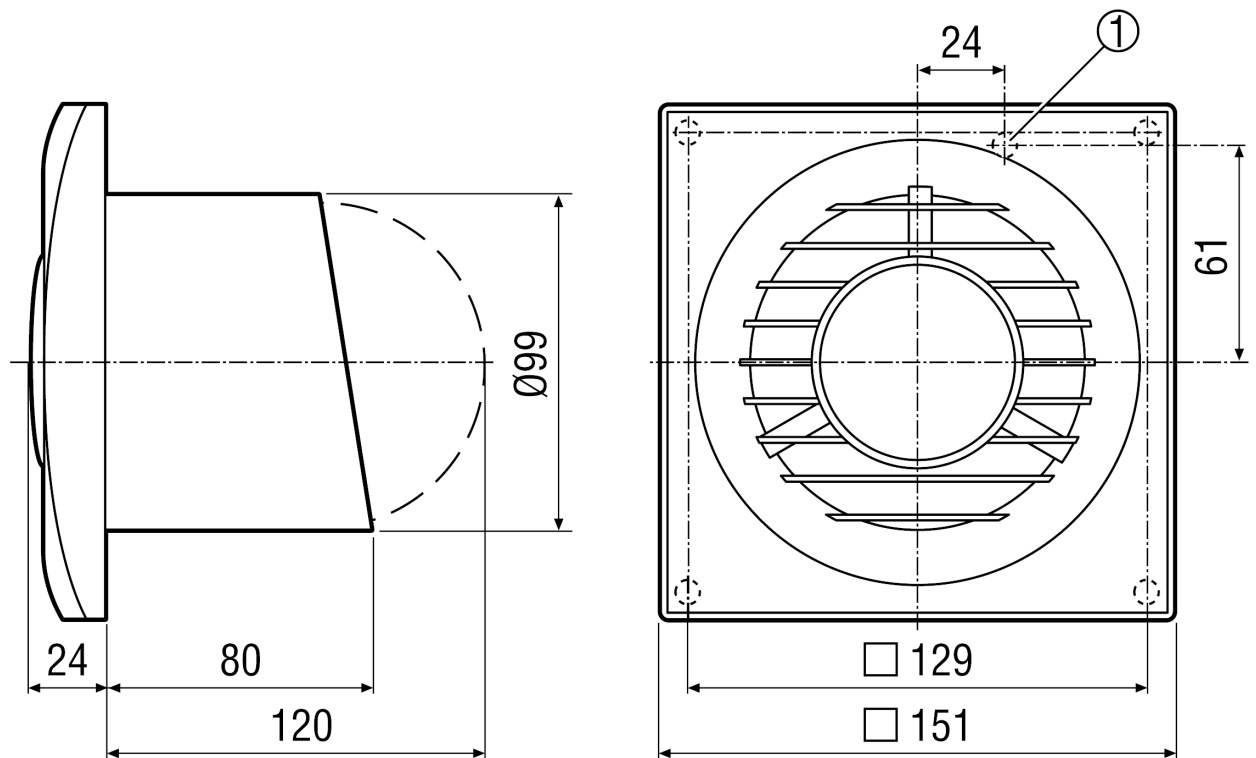
Sound pressure level	26 dB(A) (Distance 3 m, Free-field conditions)
Packing unit	1 piece
Range	A
GTIN (EAN)	4012799840824

Characteristic curve



ECA piano H

Dimensioned drawing [mm]



① Cable entry