

ECA piano Standard



Short description

Particularly quiet small room fan, standard model

Application examples

Bathroom, WC, Storage room, Larder, Cellar

Article number 0084.0080

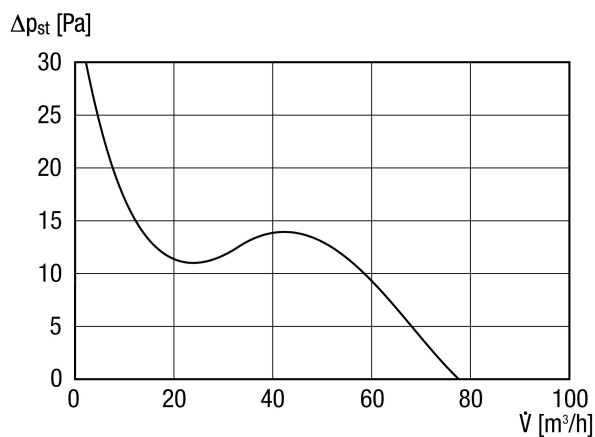
Technical data

Model	Standard model
Air flow volume	80 m ³ /h
Rotating speed	2.400 1/min
Speed controllable	✓
Reversing capacity	–
Type of voltage	Alternating current
Rated voltage	230 V
Frequency	50 Hz/60 Hz
Nominal output	8 W
I _{max}	0,06 A
Degree of protection	IP X4
Mains cable	3 x 1,5 mm ²
Installation site	Wall / Ceiling
Type of installation	Surface-mounted
Installation position	any
Material	Synthetic material
Colour	Traffic white, similar to RAL 9016
Weight	0,5 kg
Weight including packaging	0,61 kg
Nominal size	100 mm
Width	151 mm
Height	151 mm
Depth	104 mm
Width with packaging	160 mm
Height with packaging	160 mm
Depth with packaging	130 mm
Airstream temperature at I _{Max}	40 °C
Sound pressure level	26 dB(A) (Distance 3 m, Free-field conditions)
Packing unit	1 piece

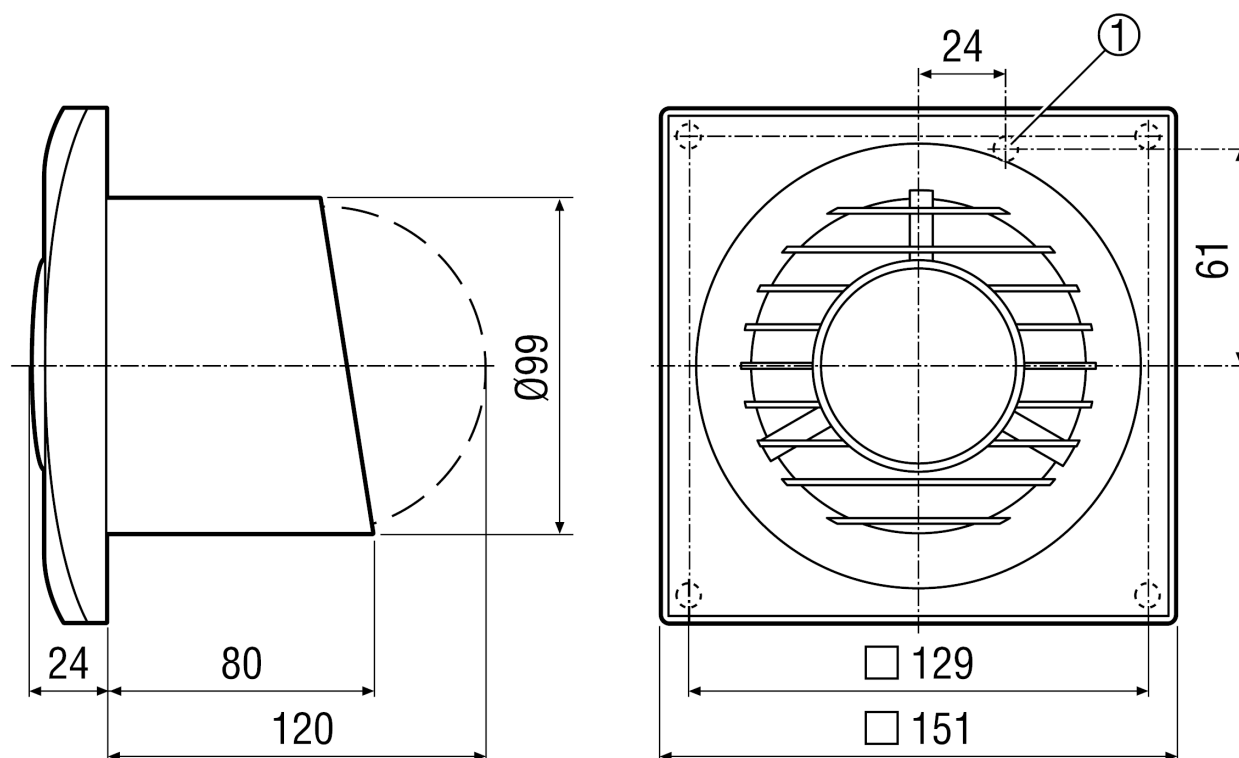
ECA piano Standard

Range	A
GTIN (EAN)	4012799840800

Characteristic curve



Dimensioned drawing [mm]





ECA piano Standard

① Cable entry