

ECO 40 D



Short description

Oscillating axial industrial fans for wall installation, impeller diameter 400 mm

Application examples

Commercial premises, Production facility, Restaurant, Workplace, Showroom

Article number 0088.0014

Technical data

Maximum air circulation	4.500 m³/h
Rotating speed	1.150 1/min
Impeller diameter	400 mm
Impeller type	axial
Speed controllable	✓
Reversing capacity	–
Type of voltage	Alternating current
Rated voltage	230 V
Frequency	50 Hz
Power consumption	44 W
I _{max}	0,25 A
Degree of protection	IP 20
Installation site	Wall
Installation position	vertical / horizontal
Material	Synthetic material
Colour	similar to pearl white, RAL 1013
Weight	3,97 kg
Weight including packaging	4,84 kg
Swivellable	✓
Width	450 mm
Height	450 mm
Depth	340 mm
Width with packaging	451 mm
Height with packaging	451 mm
Depth with packaging	385 mm
Airstream temperature at nominal current	40 °C
Airstream temperature at I _{Max}	40 °C
Ambient temperature	40 °C
Packing unit	1 piece

ECO 40 D

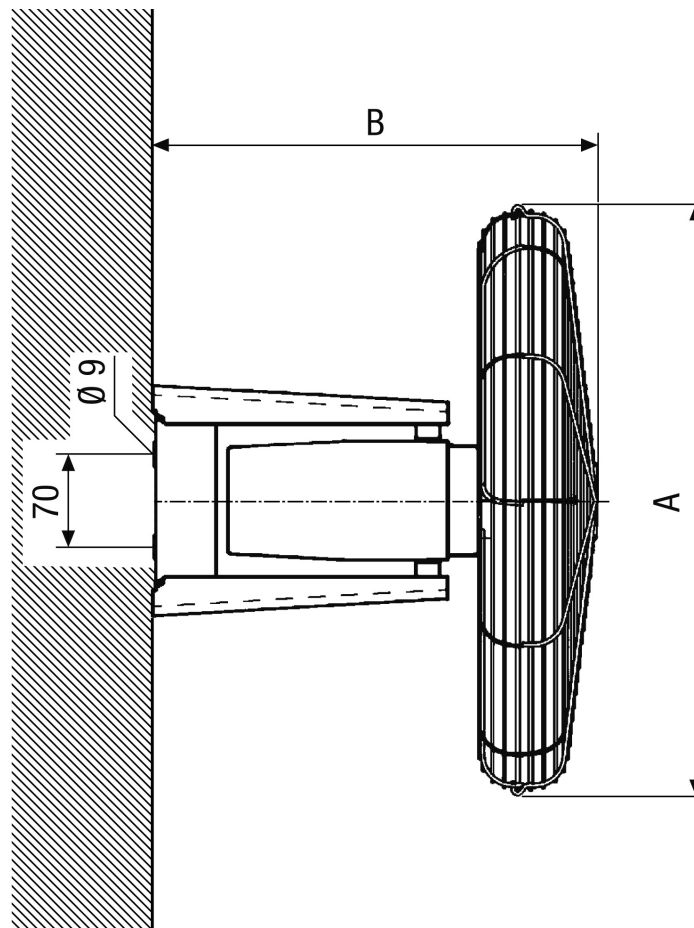
Range	C
GTIN (EAN)	4012799880141

Sound power level in octave range

	63 Hz	125 Hz	250 Hz	500 Hz	1 kHz	2 kHz	4 kHz	8 kHz	Total
L_{WA1, high} (dB(A))	-	-	-	-	-	-	-	-	65

L_{WA1} = Total sound power level of greenhouse fans or air purifiers, free-suction and free-blowing

Dimensioned drawing [mm]



A	B
450	340