

EC 30 E



Short description

Axial ceiling fans for rooms with low ceilings, impeller diameter 300 mm

Application examples

Commercial premises, Production facility, Restaurant, Workplace, Showroom

Article number 0088.0001

Technical data

Maximum air circulation	2.800 m³/h
Rotating speed	1.350 1/min
Impeller diameter	300 mm
Impeller type	axial
Speed controllable	✓
Reversing capacity	–
Type of voltage	Alternating current
Rated voltage	230 V
Frequency	50 Hz
Power consumption	37 W
I _{max}	0,25 A
Degree of protection	IP 20
Installation site	Ceiling
Installation position	vertical
Material	Synthetic material
Colour	similar to pearl white, RAL 1013
Weight	2,5 kg
Weight including packaging	3,44 kg
Swivellable	–
Width	345 mm
Height	345 mm
Depth	390 mm
Width with packaging	355 mm
Height with packaging	355 mm
Depth with packaging	391 mm
Airstream temperature at nominal current	40 °C
Airstream temperature at I _{Max}	40 °C
Ambient temperature	40 °C
Packing unit	1 piece

EC 30 E

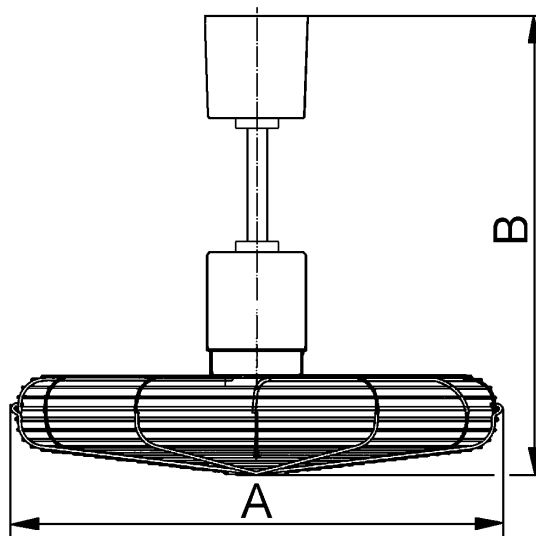
Range	C
GTIN (EAN)	4012799880011

Sound power level in octave range

	63 Hz	125 Hz	250 Hz	500 Hz	1 kHz	2 kHz	4 kHz	8 kHz	Total
L_{WA1, high} (dB(A))	-	-	-	-	-	-	-	-	57

L_{WA1} = Total sound power level of greenhouse fans or air purifiers, free-suction and free-blowing

Dimensioned drawing [mm]



A	B
345	410
Dimension B with standard rod (250 mm)	