

# EC 40 D



## Short description

Axial ceiling fans for rooms with low ceilings, impeller diameter 400 mm

## Application examples

Commercial premises, Production facility, Restaurant, Workplace, Showroom

Article number 0088.0005

## Technical data

Maximum air circulation	4.500 m³/h
Rotating speed	1.150 1/min
Impeller diameter	400 mm
Impeller type	axial
Speed controllable	✓
Reversing capacity	–
Type of voltage	Alternating current
Rated voltage	230 V
Frequency	50 Hz
Power consumption	40 W
I <sub>max</sub>	0,2 A
Degree of protection	IP 20
Installation site	Ceiling
Installation position	vertical
Material	Synthetic material
Colour	similar to pearl white, RAL 1013
Weight	3,15 kg
Weight including packaging	4,055 kg
Swivellable	–
Width	450 mm
Height	385 mm
Depth	420 mm
Width with packaging	451 mm
Height with packaging	386 mm
Depth with packaging	450 mm
Airstream temperature at nominal current	40 °C
Airstream temperature at I <sub>Max</sub>	40 °C
Ambient temperature	40 °C
Packing unit	1 piece

# EC 40 D

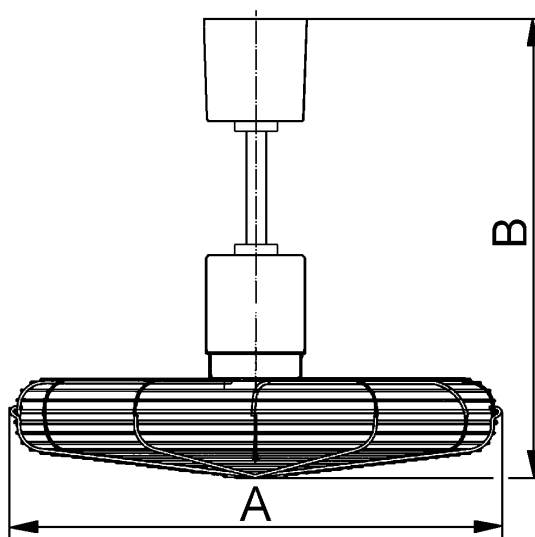
Range	C
GTIN (EAN)	4012799880059

## Sound power level in octave range

	63 Hz	125 Hz	250 Hz	500 Hz	1 kHz	2 kHz	4 kHz	8 kHz	Total
<b>L<sub>WA1, high</sub></b> (dB(A))	-	-	-	-	-	-	-	-	65

L<sub>WA1</sub> = Total sound power level of greenhouse fans or air purifiers, free-suction and free-blowing

## Dimensioned drawing [mm]



A	B
450	420
Dimension B with standard rod (250 mm)	