

# EC 90 B



## Short description

Axial ceiling fans for rooms with high ceilings, version with medium air circulation, with 3-blade plastic impeller

## Application examples

Commercial premises, Production facility, Restaurant, Workplace, Showroom

Article number 0088.0121

## Technical data

Maximum air circulation	11.000 m³/h
Rotating speed	360 1/min
Impeller diameter	900 mm
Impeller type	axial
Speed controllable	✓
Reversing capacity	–
Type of voltage	Alternating current
Rated voltage	230 V
Frequency	50 Hz
Power consumption	116 W
I <sub>max</sub>	0,55 A
Degree of protection	IP 20
Installation site	Ceiling
Installation position	vertical
Material	Synthetic material
Colour	similar to traffic white, RAL 9016
Weight	5,33 kg
Weight including packaging	6,345 kg
Swivellable	–
Width	445 mm
Height	240 mm
Depth	345 mm
Width with packaging	446 mm
Height with packaging	241 mm
Depth with packaging	346 mm
Airstream temperature at nominal current	55 °C
Airstream temperature at I <sub>Max</sub>	40 °C
Ambient temperature	55 °C
Packing unit	1 piece

# EC 90 B

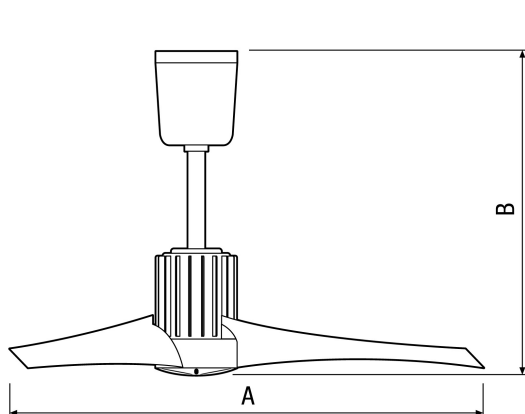
Range	C
GTIN (EAN)	4012799881216

## Sound power level in octave range

	63 Hz	125 Hz	250 Hz	500 Hz	1 kHz	2 kHz	4 kHz	8 kHz	Total
<b>L<sub>WA1, high</sub></b> <b>(dB(A))</b>	-	-	-	-	-	-	-	-	62

L<sub>WA1</sub> = Total sound power level of greenhouse fans or air purifiers, free-suction and free-blowing

## Dimensioned drawing [mm]



A	B
900	450

Dimension B with standard rod (250 mm)