

# EFG 30 E



## Short description

Greenhouse fan, DN 300, AC

Article number 0081.0403

## Technical data

Air flow volume	800 m <sup>3</sup> /h
Rotating speed	1.340 1/min
Reversing capacity	–
Nominal output	35 W
Power consumption	35 W
I <sub>nom</sub>	0,25 A
I <sub>max</sub>	0,25 A
Degree of protection	IP X4
Weight	6,915
Nominal size	300 mm
Airstream temperature at nominal current	60 °C
Packing unit	1 piece
Range	C
GTIN (EAN)	4012799814030

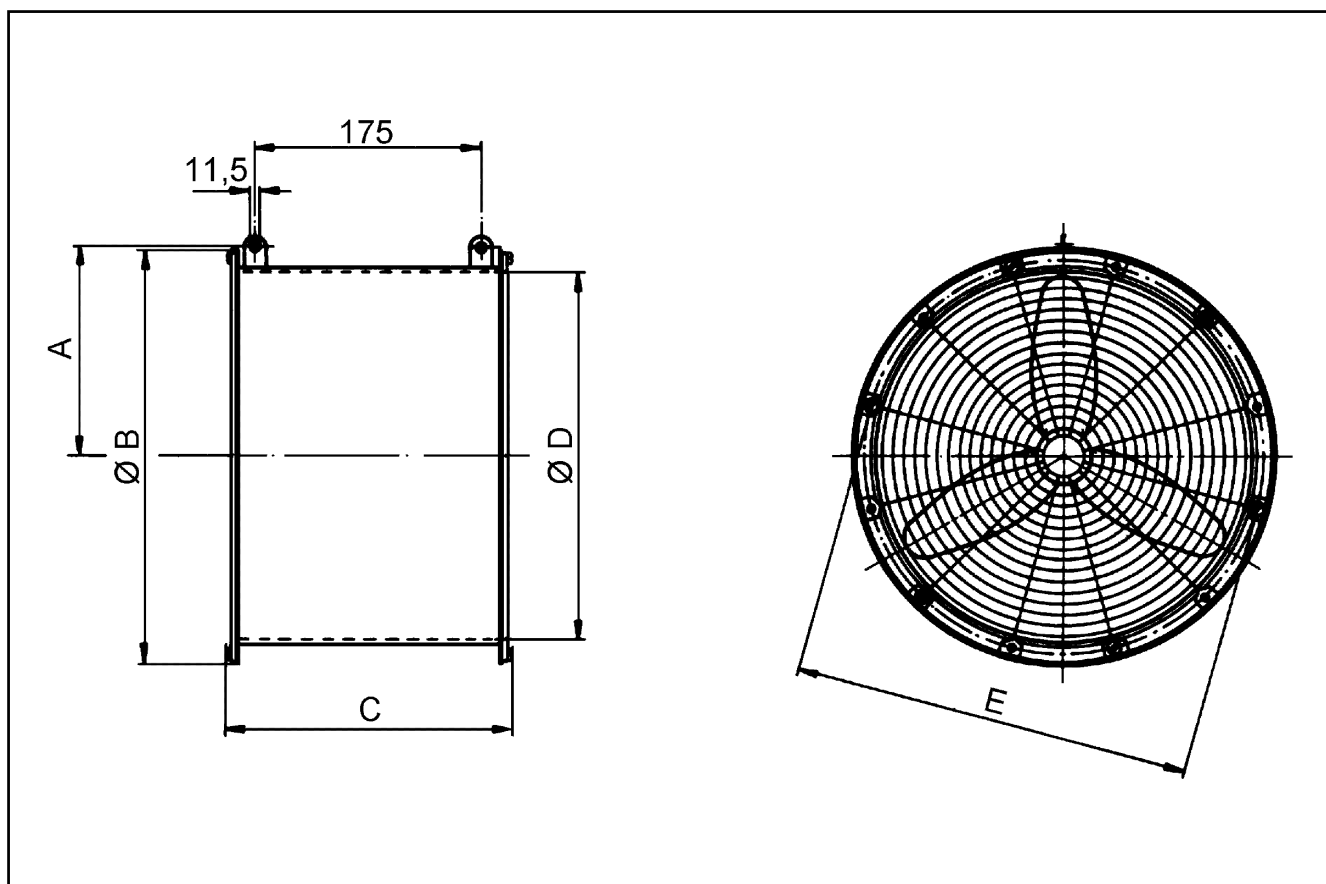
## Sound power level in octave range

	63 Hz	125 Hz	250 Hz	500 Hz	1 kHz	2 kHz	4 kHz	8 kHz	Total
L <sub>WA1, high</sub> (dB(A))	–	–	–	–	–	–	–	–	66

L<sub>WA1</sub> = Total sound power level of greenhouse fans or air purifiers, free-suction and free-blowing

# EFG 30 E

Dimensioned drawing [mm]



A	B	C	D	E
182	380	242	313	356