

EFG 40 D



Short description

Greenhouse fan, DN 400, AC

Article number 0081.0407

Technical data

Air flow volume	1.800 m ³ /h
Rotating speed	1.300 1/min
Reversing capacity	✓
Nominal output	50 W
Power consumption	50 W
I _{nom}	0,25 A
I _{max}	0,3 A
Degree of protection	IP X4
Weight	9,95
Nominal size	400 mm
Airstream temperature at nominal current	55 °C
Packing unit	1 piece
Range	C
GTIN (EAN)	4012799814078

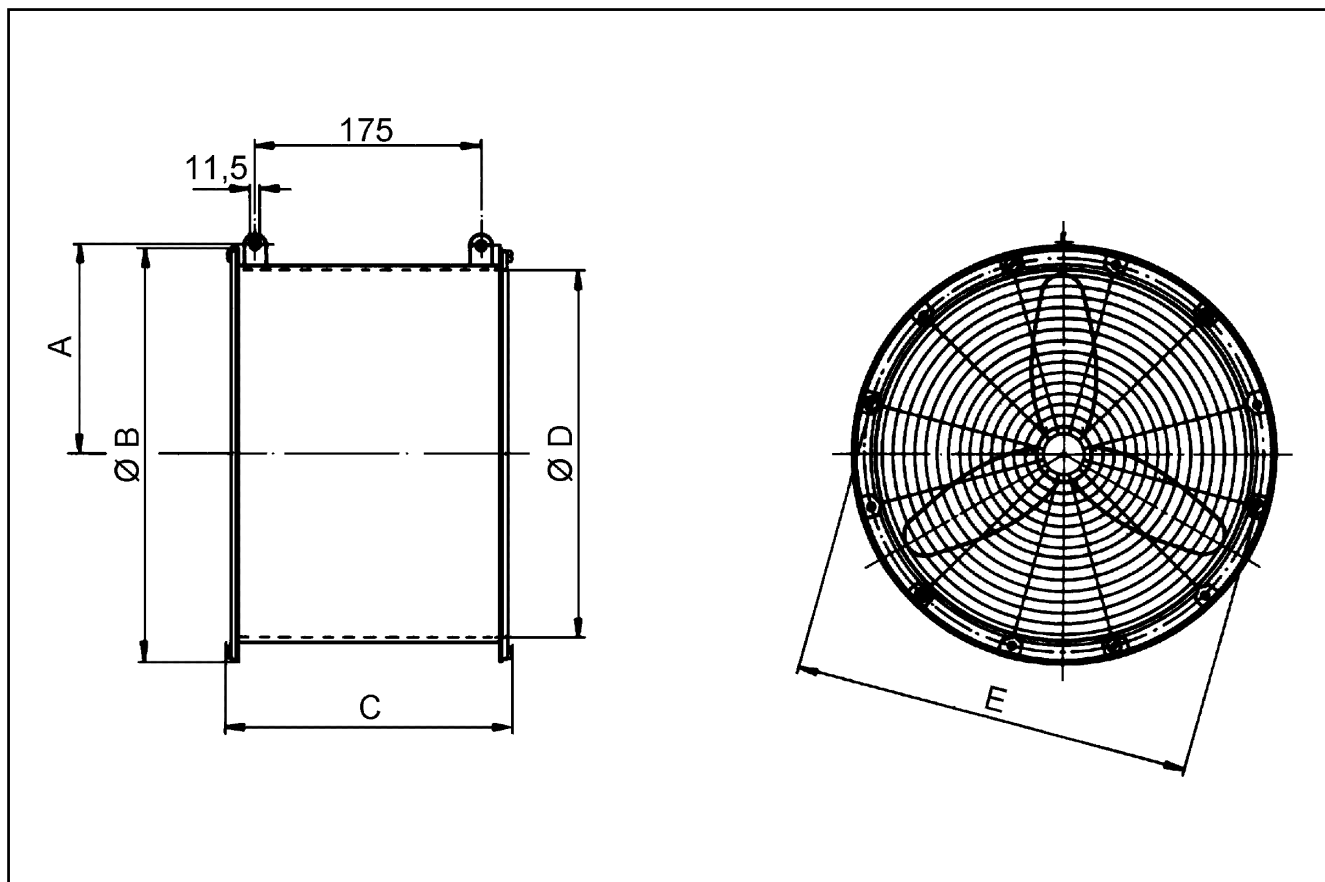
Sound power level in octave range

	63 Hz	125 Hz	250 Hz	500 Hz	1 kHz	2 kHz	4 kHz	8 kHz	Total
L _{WA1, high} (dB(A))	-	-	-	-	-	-	-	-	71

L_{WA1} = Total sound power level of greenhouse fans or air purifiers, free-suction and free-blowing

EFG 40 D

Dimensioned drawing [mm]



A	B	C	D	E
232	460	260	413	438