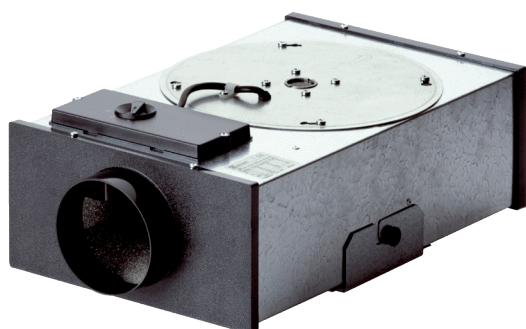


EFR 10 R



Short description

Centrifugal flat box with 5 speeds, DN 100

Application examples

Single-family house, Office, Foreman's office, WC

Article number 0080.0571

Technical data

Air flow volume	220 m ³ /h
Rotating speed	2.373 1/min
Impeller type	radial
Rated voltage	230 V
Frequency	50 Hz
Nominal output	52 W
P _{Max}	52 W
I _{max}	0,23 A
Degree of protection	IP 20
Mains cable	3 x 1,5 mm ²
Installation site	Ceiling
Installation position	vertical / horizontal
Housing material	Sheet steel, galvanised
Weight	4,6 kg
Weight including packaging	5,015 kg
Swivelling fan	✓
Nominal size	100 mm
Width	241 mm
Height	122 mm
Depth	448 mm
Width with packaging	265 mm
Height with packaging	165 mm
Depth with packaging	465 mm
Airstream temperature at I _{Max}	-20 °C up to 50 °C
Ambient temperature	50 °C
Sound pressure level	34 dB(A) (Distance 3 m, Free-field conditions)
Packing unit	1 piece
Range	C
GTIN (EAN)	4012799805717

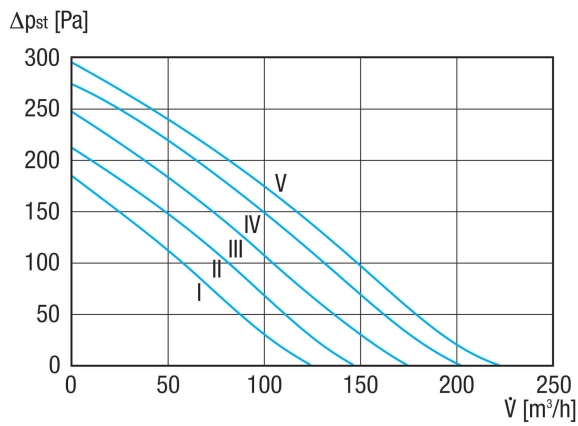
EFR 10 R

Sound power level in octave range

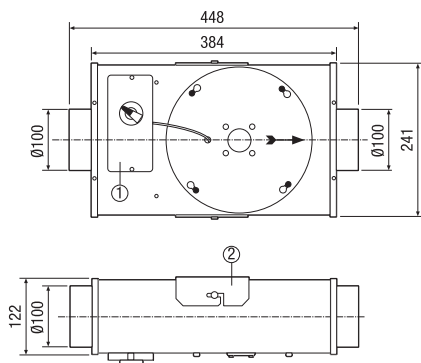
	63 Hz	125 Hz	250 Hz	500 Hz	1 kHz	2 kHz	4 kHz	8 kHz	Total
L_{WA2, high} (dB(A))	–	33	42	50	47	41	31	26	53

L_{WA2}= housing sound power level in dB.

Characteristic curve



Dimensioned drawing [mm]



- ① Electrical connection
- ② Mounting support