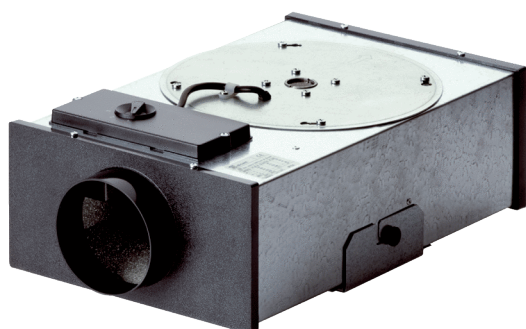


EFR 12



Short description

Centrifugal flat box with 1 speed, DN 125

Application examples

Single-family house, Office, Foreman's office, WC

Article number 0080.0572

Technical data

Air flow volume	255 m ³ /h
Rotating speed	2.392 1/min
Impeller type	radial
Rated voltage	230 V
Frequency	50 Hz
Nominal output	53 W
P _{Max}	53 W
I _{max}	0,24 A
Degree of protection	IP 20
Mains cable	3 x 1,5 mm ²
Installation site	Ceiling
Installation position	vertical / horizontal
Material	Sheet steel, galvanised
Housing material	Sheet steel, galvanised
Colour	Silver grey
Weight	4,2 kg
Weight including packaging	4,65 kg
Swivelling fan	✓
Nominal size	125 mm
Width	241 mm
Height	122 mm
Depth	448 mm
Width with packaging	265 mm
Height with packaging	170 mm
Depth with packaging	470 mm
Airstream temperature at I _{Max}	-20 °C up to 50 °C
Ambient temperature	50 °C
Sound pressure level	37 dB(A) (Distance 3 m, Free-field conditions)
Packing unit	1 piece

EFR 12

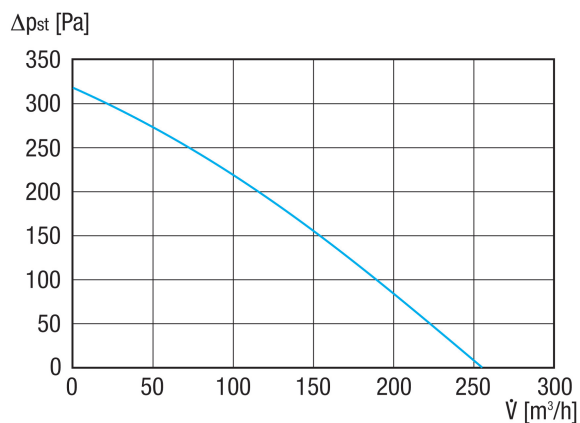
Range	C
GTIN (EAN)	4012799805724

Sound power level in octave range

	63 Hz	125 Hz	250 Hz	500 Hz	1 kHz	2 kHz	4 kHz	8 kHz	Total
L_{WA2, high} (dB(A))	–	47	53	56	52	41	31	–	55

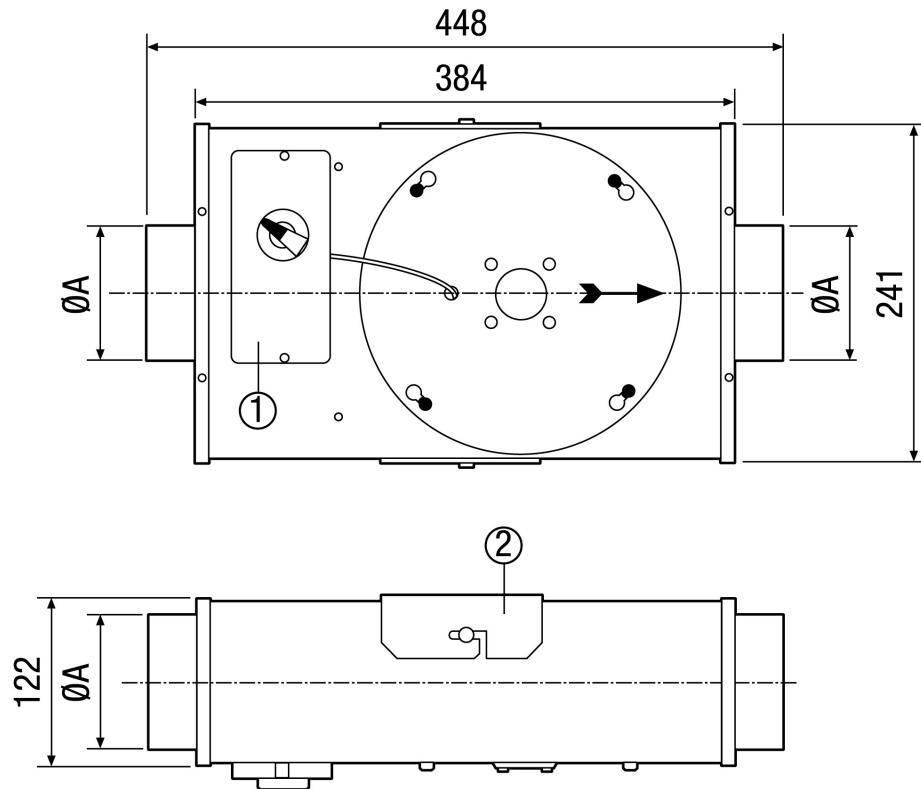
L_{WA2}= housing sound power level in dB.

Characteristic curve



EFR 12

Dimensioned drawing [mm]



A

121

- ① Electrical connection
- ② Mounting support