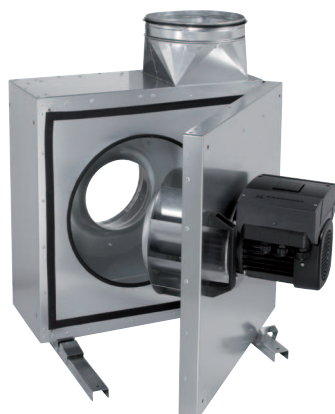


EKR 31 FU



Short description

Sound-insulated exhaust air box with frequency converter, DN 315, alternating current

Application examples

Extraction hood, Canteen kitchen, Workplace air extraction system, Machine extraction unit

Article number 0080.0896

Technical data

| | |
|---|-------------------------|
| Air flow volume | 3.660 m ³ /h |
| Rotating speed | 2.670 1/min |
| Speed controllable | ✓ |
| Type of voltage | Alternating current |
| Rated voltage | 230 V |
| Frequency | 50 Hz |
| Nominal output | 828 W |
| I _{nom} | 3,8 A |
| I _{max} | 3,9 A |
| Degree of protection | IP X4 |
| Degree of protection for motor | IP 55 |
| Insulation class | F |
| Mains cable | 5 x 1,5 mm ² |
| Weight | 50 kg |
| Swivelling fan | ✓ |
| Nominal size | 315 mm |
| Width with packaging | 707 mm |
| Height with packaging | 592 mm |
| Depth with packaging | 882 mm |
| Airstream temperature at nominal current | -20 °C up to 120 °C |
| Airstream temperature at I _{Max} | -20 °C up to 120 °C |
| Ambient temperature | -25 °C up to 40 °C |
| Packing unit | 1 piece |
| Range | E |
| GTIN (EAN) | 4012799808961 |

EKR 31 FU

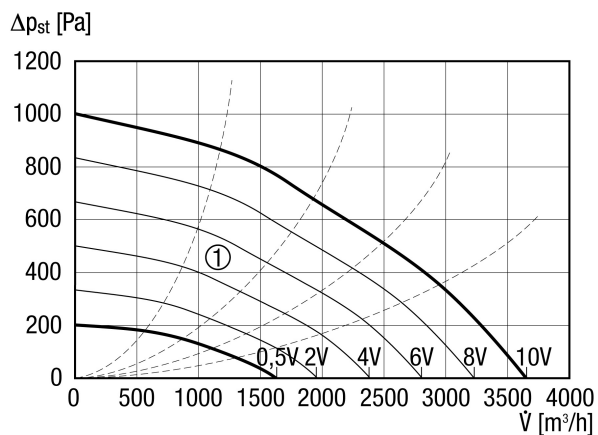
Sound power level in octave range

| | 63 Hz | 125 Hz | 250 Hz | 500 Hz | 1 kHz | 2 kHz | 4 kHz | 8 kHz | Total |
|---|-------|--------|--------|--------|-------|-------|-------|-------|-------|
| L_{WA2}, Level 2 (dB(A)) | 55 | 67 | 66 | 62 | 66 | 62 | 57 | 50 | 72 |
| L_{WA2}, Level 3 (dB(A)) | 48 | 58 | 63 | 59 | 65 | 61 | 56 | 48 | 69 |
| L_{WA2}, Level 4 (dB(A)) | 50 | 56 | 66 | 62 | 66 | 62 | 58 | 48 | 71 |
| L_{WA2}, Level 5 (dB(A)) | 52 | 58 | 67 | 64 | 67 | 63 | 59 | 49 | 72 |
| L_{WA5}, Level 2 (dB(A)) | 53 | 74 | 77 | 81 | 76 | 72 | 69 | 61 | 84 |
| L_{WA5}, Level 3 (dB(A)) | 45 | 64 | 73 | 76 | 73 | 70 | 69 | 61 | 80 |
| L_{WA5}, Level 4 (dB(A)) | 44 | 58 | 77 | 78 | 74 | 73 | 73 | 66 | 83 |
| L_{WA5}, Level 5 (dB(A)) | 47 | 59 | 78 | 79 | 76 | 74 | 74 | 68 | 84 |
| L_{WA6}, Level 2 (dB(A)) | 61 | 70 | 79 | 77 | 76 | 77 | 71 | 64 | 84 |
| L_{WA6}, Level 3 (dB(A)) | 50 | 62 | 76 | 71 | 73 | 74 | 71 | 64 | 81 |
| L_{WA6}, Level 4 (dB(A)) | 46 | 56 | 80 | 73 | 75 | 76 | 75 | 69 | 84 |
| L_{WA6}, Level 5 (dB(A)) | 50 | 60 | 82 | 74 | 77 | 78 | 76 | 72 | 85 |

L_{WA2}= housing sound power level in dB.
 L_{WA5}= free inlet sound power level in dB.
 L_{WA6}= free outlet sound power level in dB.

EKR 31 FU

Characteristic curve



① Auxiliary characteristics curves for control voltage 0.5 - 10 V

Dimensioned drawing [mm]

