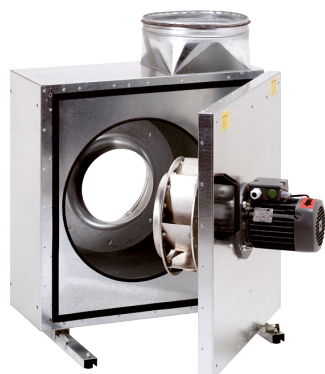


EKR 35-2



Short description

Sound-insulated exhaust air box, DN 355, alternating current

Application examples

Extraction hood, Canteen kitchen, Workplace air extraction system, Machine extraction unit

Article number 0080.0885

Technical data

Air flow volume	5.800 m ³ /h
Air volume _{nom}	2.877 m ³ /h (in opt. efficiency)
Pressure p _{fs, nom}	493 Pa (in opt. efficiency)
Rotating speed n _{nom}	1.359 1/min (in opt. efficiency)
Rotating speed	1.450 1/min
Speed controllable	✓
Type of voltage	Alternating current
Rated voltage	230 V
Frequency	50 Hz
Nominal output	850 W (in opt. efficiency)
I _{nom}	3,8 A (in opt. efficiency)
I _{max}	4,7 A
Degree of protection	IP X4
Insulation class	F
Mains cable	5 x 1,5 mm ²
Installation position	vertical / horizontal
Material	Sheet steel, galvanised
Housing material	Sheet steel, galvanised
Colour	Silver
Weight	65 kg
Weight including packaging	74,69 kg
Swivelling fan	✓
Nominal size	355 mm
Width	832 mm
Height	916 mm
Depth	611 mm
Width with packaging	920 mm
Height with packaging	1.000 mm
Depth with packaging	800 mm

EKR 35-2

Airstream temperature at I_{Max}	-20 °C up to 120 °C
Ambient temperature	60 °C
Packing unit	1 piece
Range	C
GTIN (EAN)	4012799808855

Technical data according to ErP in Best Efficiency Point (BEP)

Total efficiency η	48,5 %
Measurement category	A
Efficiency category	static
Efficiency level N	61
VSD necessary	No
Year of manufacture	see rating plate
Manufacturer's name / official registration number / manufacturer's place of establishment	Maico Elektroapparate-Fabrik GmbH / Freiburg registration court, HRB 601233 / Villingen-Schwenningen
Art. No.	0080.0885
P_{BEP} / Air volume $_{BEP}$ / $P_{fs, BEP}$	0,769 kW / 2.877 m ³ /h / 493 Pa
n_{BEP}	1.359 1/min
Specific ratio	≈ 1
Information about dismantling and disposal	see mounting instructions
Information about installation, operation and repairs	see mounting instructions
Objects used to measure efficiency which are not described by the measurement category	-
I_{BEP}	3,4 A
Sound power level $_{L_{WA5}}$	75 dB(A)

Sound power level in octave range

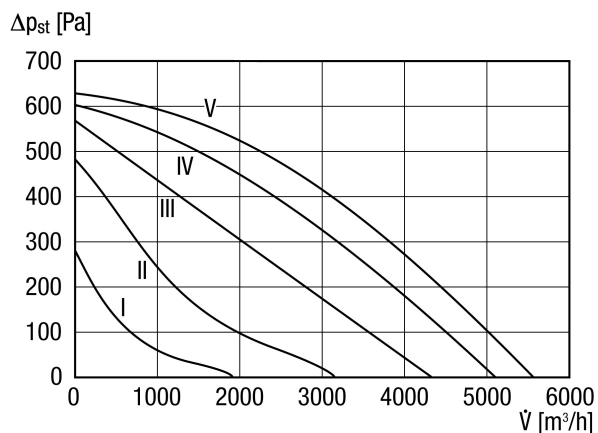
	63 Hz	125 Hz	250 Hz	500 Hz	1 kHz	2 kHz	4 kHz	8 kHz	Total
$L_{WA2, S1}$ (dB(A))	38	43	44	33	37	36	28	25	48
$L_{WA2, S2}$ (dB(A))	44	54	52	43	41	43	36	35	57
$L_{WA2, S3}$ (dB(A))	47	64	59	49	47	47	42	32	65
$L_{WA2, S4}$ (dB(A))	50	64	63	52	51	52	46	37	67
$L_{WA2, S5}$ (dB(A))	53	67	67	56	56	55	49	40	71
$L_{WA5, S1}$ (dB(A))	34	44	52	49	55	54	42	29	59
$L_{WA5, S2}$ (dB(A))	43	55	58	59	57	59	61	43	66

EKR 35-2

	63 Hz	125 Hz	250 Hz	500 Hz	1 kHz	2 kHz	4 kHz	8 kHz	Total
L_{WA5, S3} (dB(A))	43	64	65	66	64	64	64	54	72
L_{WA5, S4} (dB(A))	46	66	70	71	69	67	67	60	77
L_{WA5, S5} (dB(A))	47	72	75	75	74	71	70	65	81
L_{WA6, S1} (dB(A))	35	44	49	47	54	55	41	29	59
L_{WA6, S2} (dB(A))	43	55	59	57	60	61	57	42	66
L_{WA6, S3} (dB(A))	46	61	68	65	67	67	65	56	74
L_{WA6, S4} (dB(A))	48	66	70	69	70	70	67	61	77
L_{WA6, S5} (dB(A))	50	69	74	73	74	73	71	65	81

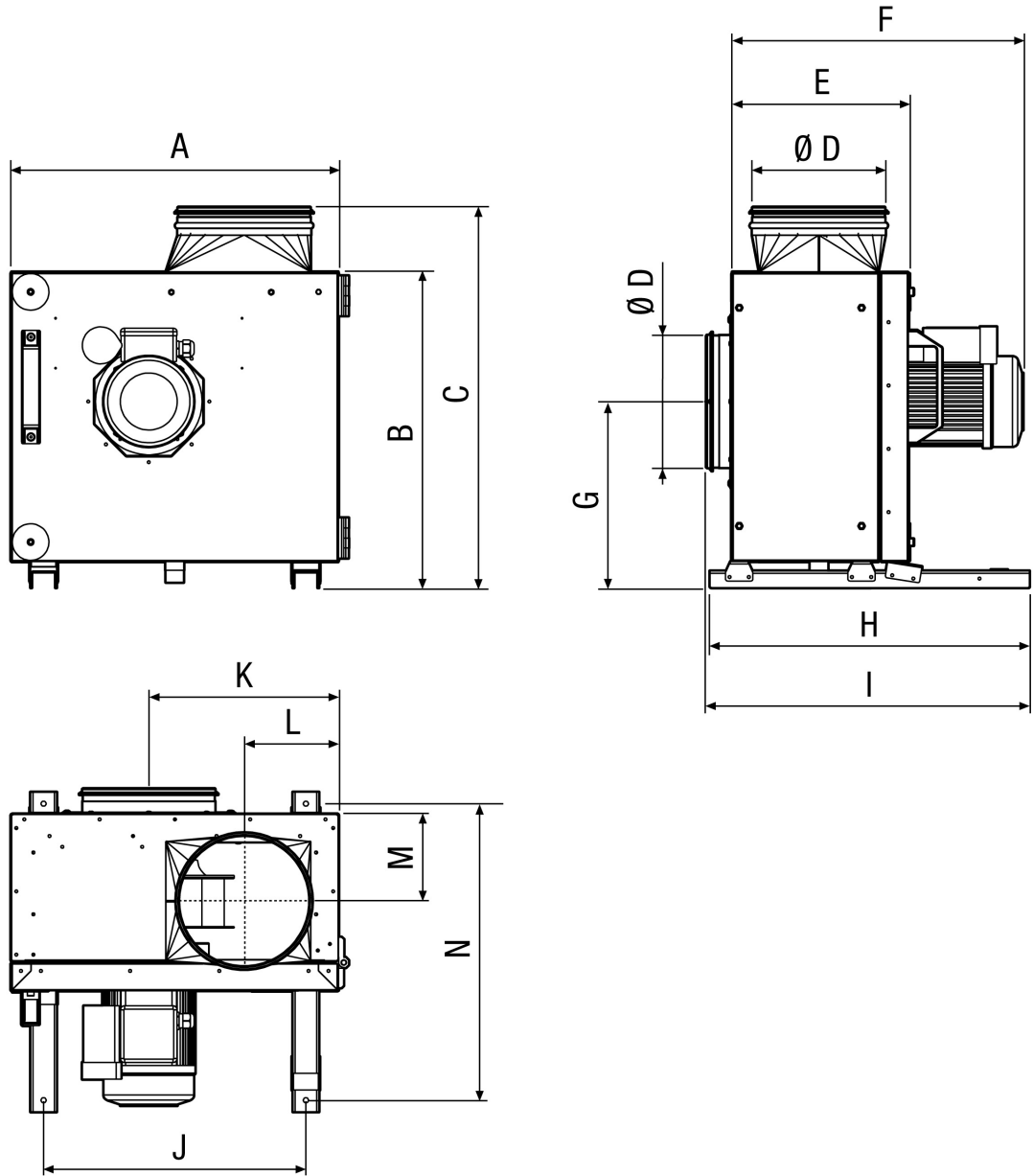
L_{WA2}= housing sound power level in dB.
 L_{WA5}= free inlet sound power level in dB.
 L_{WA6}= free outlet sound power level in dB.

Characteristic curve



EKR 35-2

Dimensioned drawing [mm]



A	B	C	D	E	F	G	H	I	J	K	L	M	N
832	789	916	354	365	637	448	590	611	734	477	220	181	555