

ELM 10



Short description

Flexible cuff for sound and vibration damped assembly of ERM duct fans, DN 100

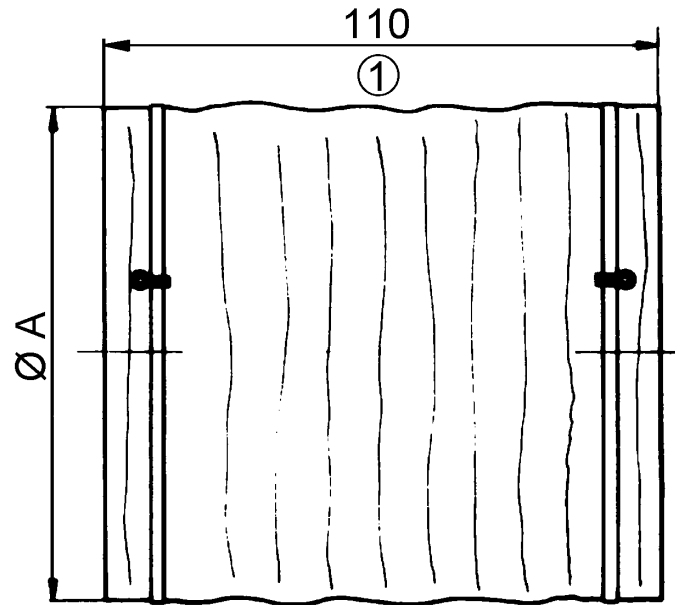
Article number 0092.0121

Technical data

Material	Synthetic material
Colour	Silver grey
Weight	0,07 kg
Weight including packaging	0,1 kg
Suitable for nominal size	100 mm
Width	110 mm
Height	110 mm
Depth	100 mm
Width with packaging	160 mm
Height with packaging	30 mm
Depth with packaging	110 mm
Ambient temperature	50 °C
Packing unit	1 piece
Range	C
GTIN (EAN)	4012799921219

ELM 10

Dimensioned drawing [mm]



A

100

① Extended length