

ELM 10 Ex



Short description

Flexible cuff with 2 tensioning straps, DN 100, suitable for use in areas subject to explosion hazards

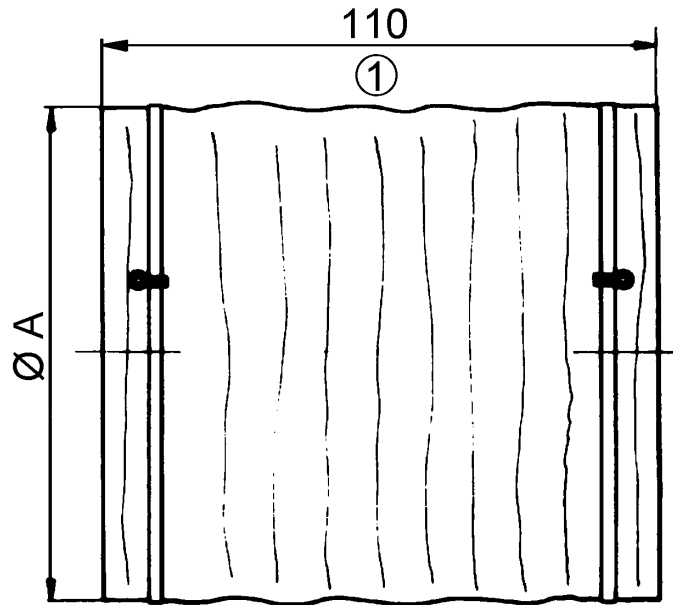
Article number 0092.0261

Technical data

Material	Synthetic material, antistatic
Colour	Silver grey
Weight	0,07 kg
Weight including packaging	0,1 kg
Suitable for nominal size	100 mm
Width	100 mm
Height	100 mm
Depth	110 mm
Width with packaging	160 mm
Height with packaging	30 mm
Depth with packaging	110 mm
Ambient temperature	50 °C
Ex version	antistatic
Packing unit	1 piece
Range	C
GTIN (EAN)	4012799922612

ELM 10 Ex

Dimensioned drawing [mm]



A

100

① Extended length