

ELM 15



Short description

Flexible cuff for sound and vibration damped assembly of ERM duct fans, DN 150

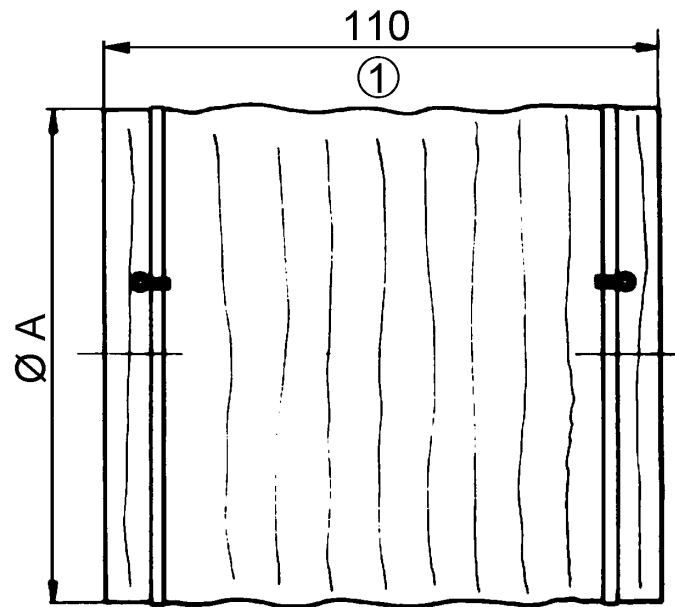
Article number 0092.0117

Technical data

| | |
|----------------------------|--------------------|
| Material | Synthetic material |
| Colour | Silver grey |
| Weight | 0,09 kg |
| Weight including packaging | 0,1 kg |
| Suitable for nominal size | 150 mm |
| Width | 150 mm |
| Height | 150 mm |
| Depth | 110 mm |
| Width with packaging | 110 mm |
| Height with packaging | 30 mm |
| Depth with packaging | 230 mm |
| Ambient temperature | 50 °C |
| Packing unit | 1 piece |
| Range | C |
| GTIN (EAN) | 4012799921172 |

ELM 15

Dimensioned drawing [mm]



A

150

① Extended length