

# ELM 28



## Short description

Flexible cuff for sound and vibration damped assembly of ERM duct fans, DN 280

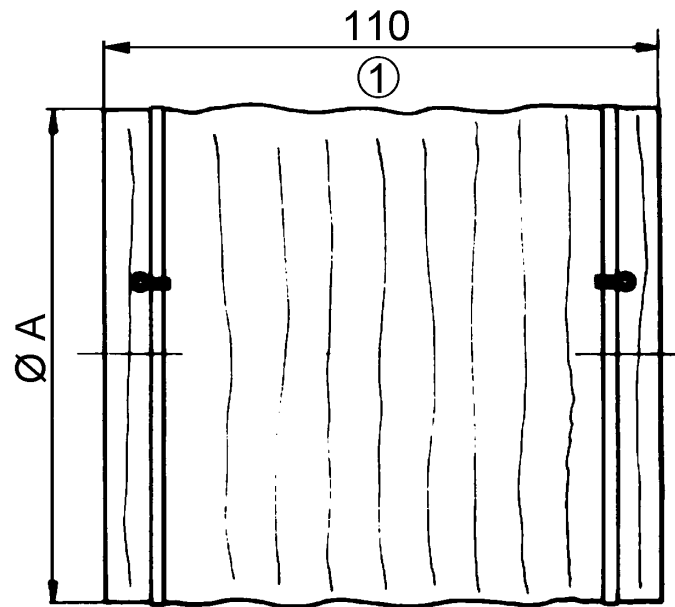
Article number 0092.0120

## Technical data

Material	Synthetic material
Colour	Silver grey
Weight	0,1 kg
Weight including packaging	0,15 kg
Suitable for nominal size	280 mm
Width	280 mm
Height	280 mm
Depth	110 mm
Width with packaging	230 mm
Height with packaging	45 mm
Depth with packaging	115 mm
Ambient temperature	50 °C
Packing unit	1 piece
Range	C
GTIN (EAN)	4012799921202

# ELM 28

Dimensioned drawing [mm]



A  
280

① Extended length