

ELP 22 Ex

Article number 0092.0239

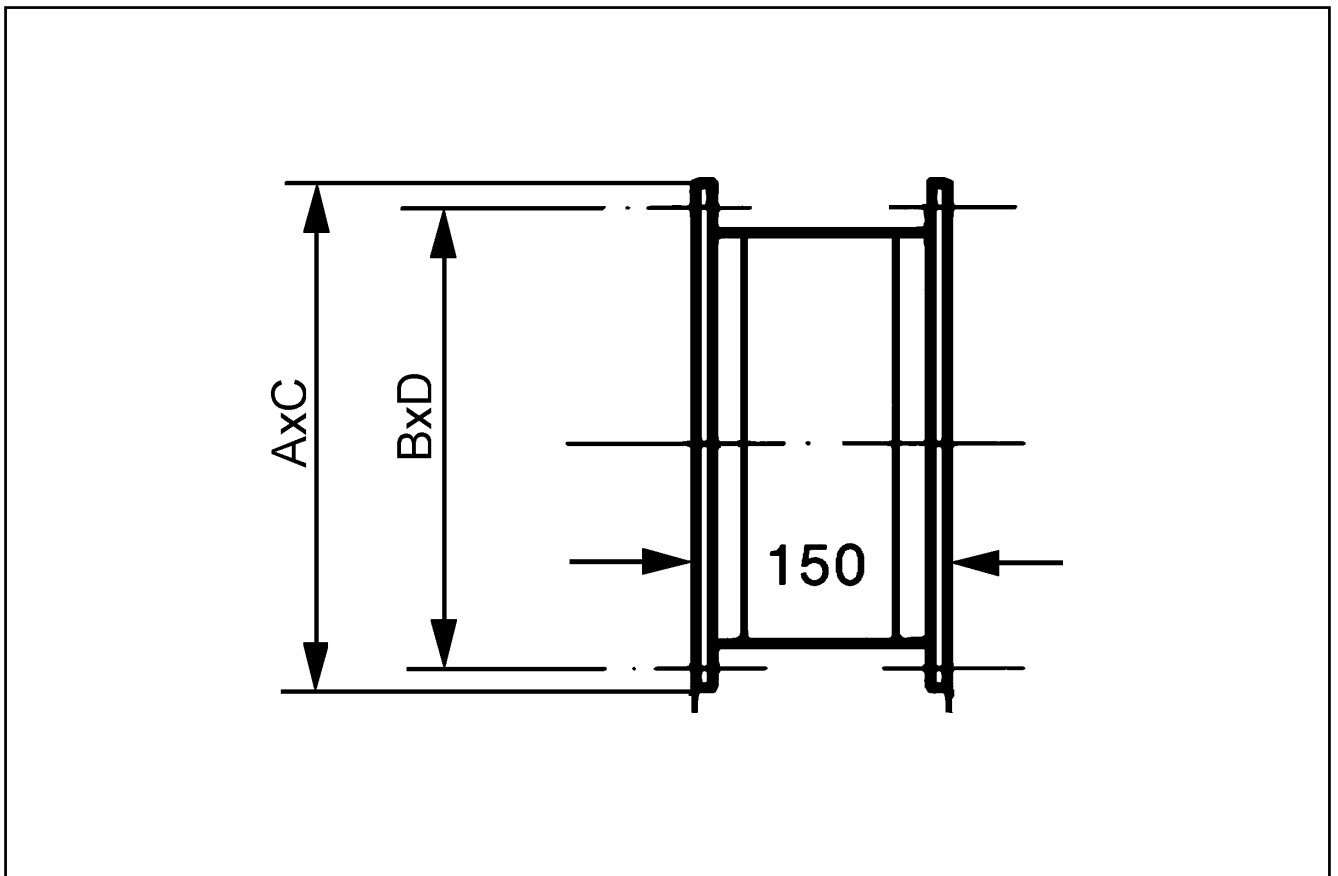
Short description

Flexible cuff, explosion proof, antistatic

Technical data

Installation site	Channel
Material	Synthetic material, antistatic
Weight	2,4
Channel dimension	500 mm x 250 mm
Explosion protection	Ex II 2G
Packing unit	1 piece
Range	D
GTIN (EAN)	4012799922391

Dimensioned drawing [mm]



A	B	C	D
290	270	540	520