

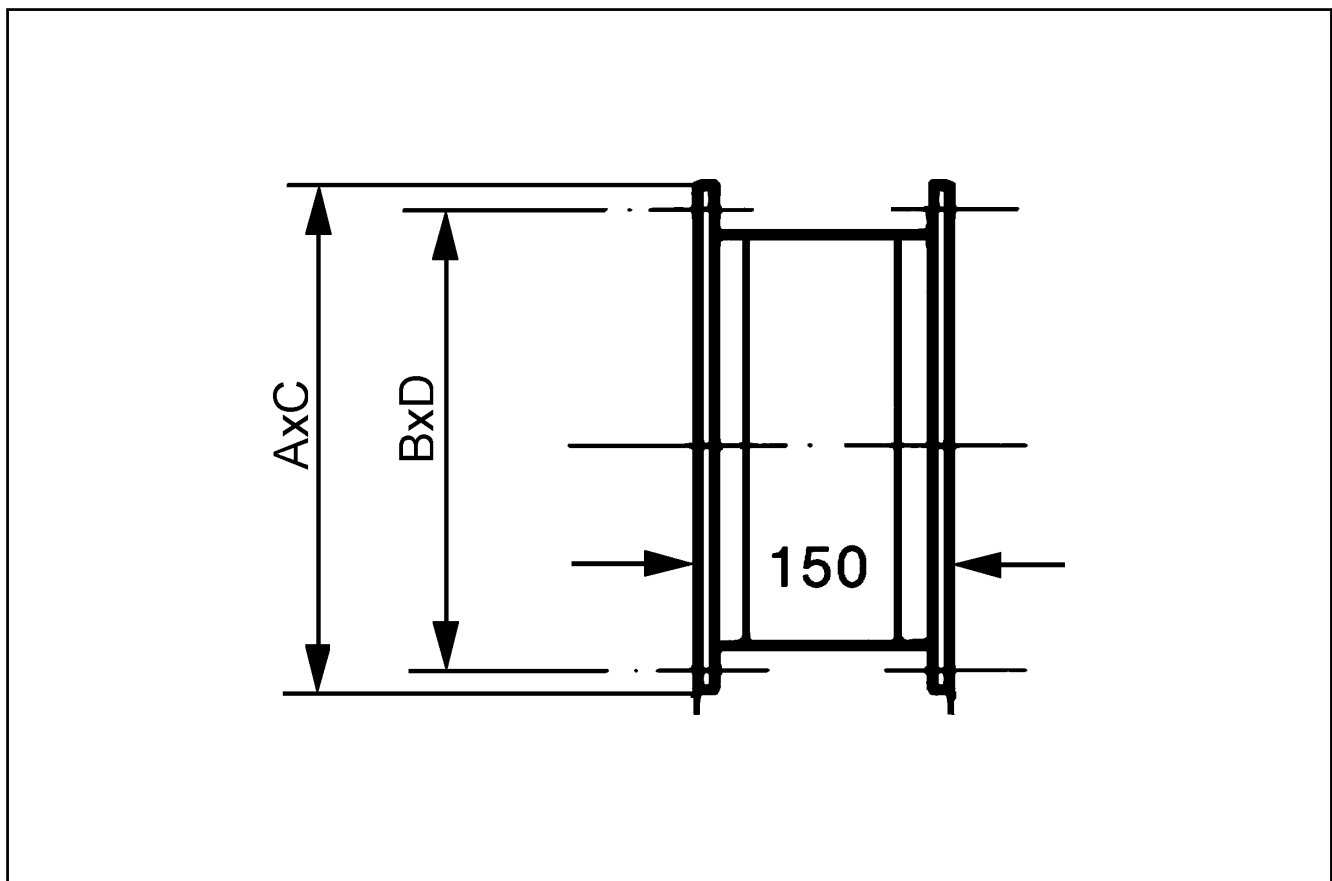
# ELP 28 Ex

Article number	0092.0241	Short description	Flexible cuff, explosion proof, antistatic
----------------	-----------	-------------------	--

## Technical data

Installation site	Channel
Material	Synthetic material, antistatic
Weight	2,8
Channel dimension	600 mm x 300 mm
Explosion protection	Ex II 2G
Packing unit	1 piece
Range	D
GTIN (EAN)	4012799922414

## Dimensioned drawing [mm]



A	B	C	D
340	320	640	620