

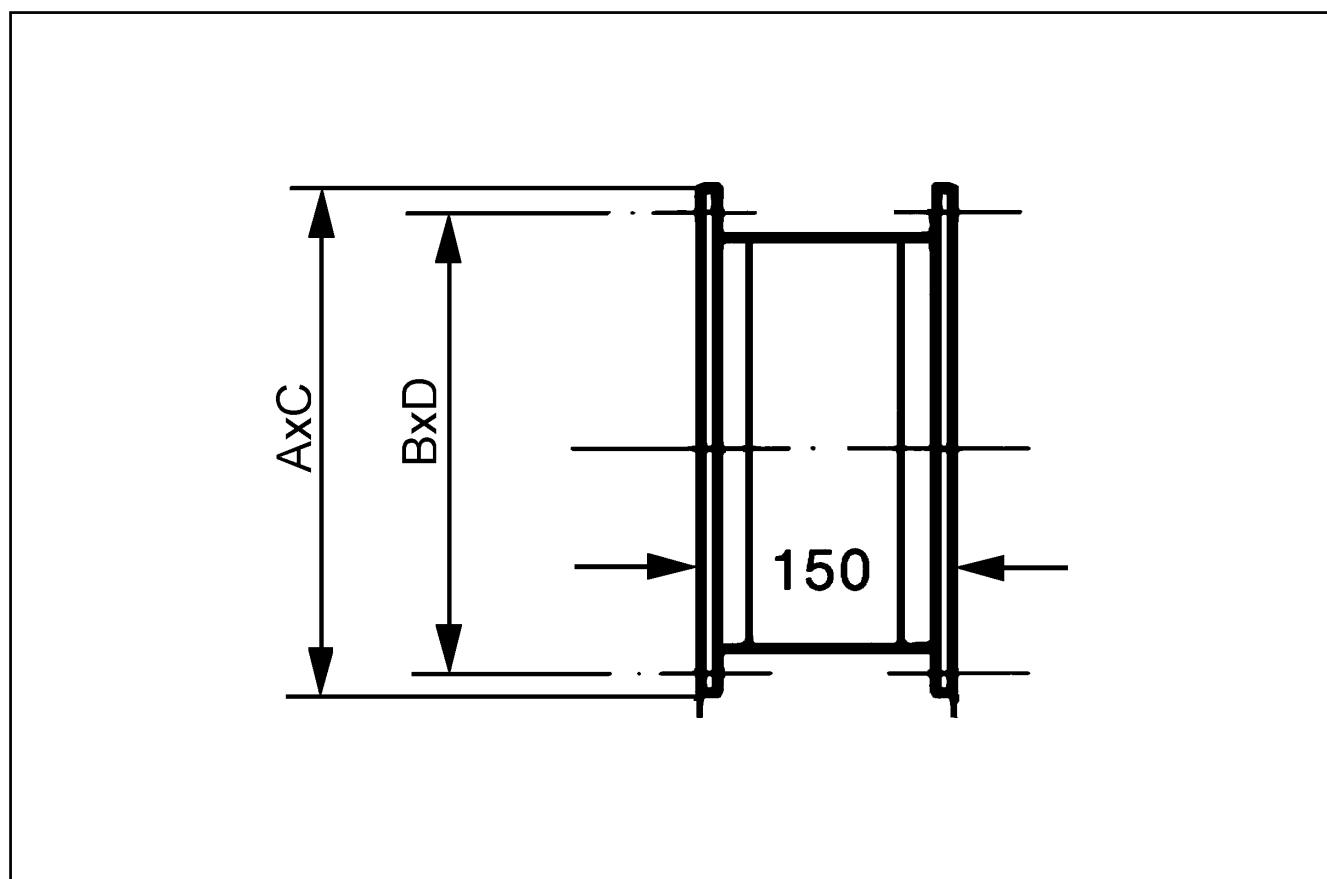
ELP 31 Ex

Article number	0092.0242	Short description	Flexible cuff, explosion proof, antistatic
----------------	-----------	-------------------	--

Technical data

Installation site	Channel
Material	Synthetic material, antistatic
Weight	3,1
Channel dimension	600 mm x 350 mm
Explosion protection	Ex II 2G
Packing unit	1 piece
Range	D
GTIN (EAN)	4012799922421

Dimensioned drawing [mm]



A	B	C	D
390	370	640	620