

# ELR 12



## Short description

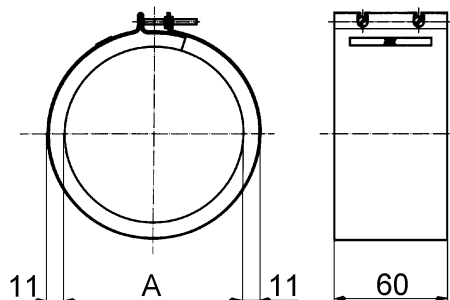
Fixing cuffs for sound and vibration dampening of duct fans, DN 120

Article number 0092.0110

## Technical data

|                            |                         |
|----------------------------|-------------------------|
| Material                   | Sheet steel, galvanised |
| Weight                     | 0,19 kg                 |
| Weight including packaging | 0,2 kg                  |
| Suitable for nominal size  | 120 mm                  |
| Width                      | 147 mm                  |
| Height                     | 147 mm                  |
| Depth                      | 60 mm                   |
| Width with packaging       | 147 mm                  |
| Height with packaging      | 147 mm                  |
| Depth with packaging       | 60 mm                   |
| Packing unit               | 1 piece                 |
| Range                      | C                       |
| GTIN (EAN)                 | 4012799921103           |

## Dimensioned drawing [mm]



A

125

Shown in installed state. Supplied in elongated form.