

ELR 15



Short description

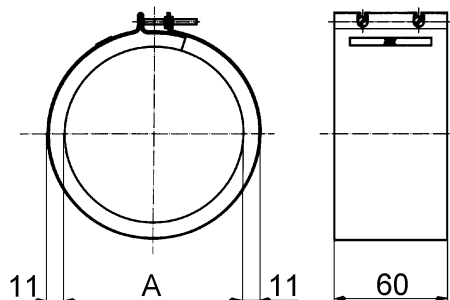
Fixing cuffs for sound and vibration dampening of duct fans, DN 150

Article number 0092.0578

Technical data

Material	Sheet steel, galvanised
Weight	0,22 kg
Weight including packaging	0,22 kg
Suitable for nominal size	150 mm
Width	172 mm
Height	172 mm
Depth	60 mm
Width with packaging	172 mm
Height with packaging	172 mm
Depth with packaging	60 mm
Packing unit	1 piece
Range	C
GTIN (EAN)	4012799925781

Dimensioned drawing [mm]



A
150

Shown in installed state. Supplied in elongated form.