

# ELR 25



## Short description

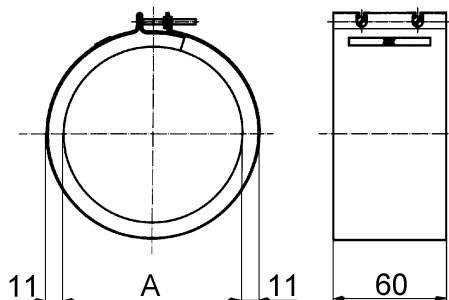
Fixing cuffs for sound and vibration dampening of duct fans, DN 250

Article number 0092.0113

## Technical data

Material	Sheet steel, galvanised
Weight	0,3 kg
Weight including packaging	0,32 kg
Suitable for nominal size	250 mm
Width	272 mm
Height	272 mm
Depth	60 mm
Width with packaging	272 mm
Height with packaging	272 mm
Depth with packaging	60 mm
Packing unit	1 piece
Range	C
GTIN (EAN)	4012799921134

## Dimensioned drawing [mm]



A

250

Shown in installed state. Supplied in elongated form.