

# ELR 40



## Short description

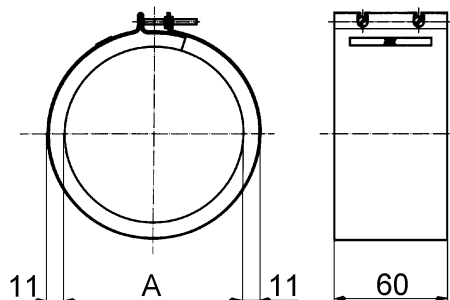
Fixing cuffs for sound and vibration dampening of duct fans, DN 400

Article number 0092.0116

## Technical data

Material	Sheet steel, galvanised
Weight	0,5 kg
Weight including packaging	0,51 kg
Suitable for nominal size	400 mm
Width	422 mm
Height	422 mm
Depth	60 mm
Width with packaging	422 mm
Height with packaging	422 mm
Depth with packaging	60 mm
Packing unit	1 piece
Range	C
GTIN (EAN)	4012799921165

## Dimensioned drawing [mm]



A  


---

 400  
 Shown in installed state. Supplied in elongated form.